

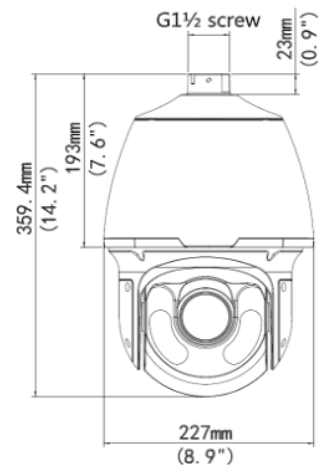
Overview

- 2MP (1920 x 1080)
- True WDR 120dB
- 4.5mm to 148.5mm lens / 33x Optical Zoom
- IR up to 150m/492ft
- IP66 Rated



Technical Specifications

Device	
Image Sensor:	1/2.8", 2.0 megapixel, progressive scan, CMOS
Min Illumination:	Color: 0.001 Lux (F1.5, AGC ON) 0 Lux with IR
Shutter Time:	Auto/Manual, 1 ~ 1/100000s
Lens:	4.5 ~ 148.5mm, AF Automatic Focusing And Motorized Zoom Lens
WDR:	120dB
Angle of View:	H: 56.2° ~ 2.6°, V: 33.5° ~ 1.4°, O: 65.4° ~ 3.0°
Angle Adjustment:	Pan: 360° (endless) Tilt: -15° ~ 90° (auto reverse)
3-Axis Adjustment:	—
Digital Zoom:	16x
Day & Night:	IR-cut filter with auto switch (ICR)
IR Range:	Up to 150m (492 ft) IR range
Compression Standard	
Video Compression:	H.265, H.264, MJPEG
Video Bit Rate:	128 Kbps~16 Mbps
Multi-Stream:	Yes
Analytics:	Motion detection, Audio detection, Tampering Alarm, Line crossing detection, Intrusion Detection, Enter Area, Leave Area Detection
Image	
Max. Image Resolution:	1920 x 1080
Frame Rate:	60fps (1920 x 1080)
ROI Codec:	Support
OSD:	Up to 8 OSDs
Image Setting:	White Balance, Digital Noise Reduction, HLC, BLC, Defog



Technical Specifications

Network			
Protocols:	IPv4, IGMP, ICMP, ARP, TCP, UDP, DHCP, PPPoE, RTP, RTSP, RTCP, DNS, DDNS, NTP, FTP, UPnP, HTTP, HTTPS, SMTP, 802.1x, SNMP, QoS, RTMP, SSL/TLS		
Interface			
Communication Interface:	1 * RJ45 10M/100M Base-TX Ethernet		
Local Storage:	Micro SD, up to 256GB		
Audio Compression:	G.711U,G.711A		
Built-in Mic:	-		
General			
Safety	UL (IEC62368-1), CE, IEC62368-1		
EMC	FCC (Part15 ClassA), EN55032 ClassB, EN55024		
Operating Conditions:	Temperature: -40°C ~65°C (-40°F ~ 149°F), Humidity: ≤95% RH		
Power Consumption:	Max 48W		
Power Supply:	AC 24V±25%, DC 24V±25%, PoE (PSE Required)		
Weather Proof Rating:	IP66		
Vandal Resistant:	-		
Dimensions:	Ø227 x 359.4mm (Ø8.9" x 14.2")		
Weight:	5.3kg (11.68lb)		
Software:	Includes Video Insight VMS License		
Accessories	M-PTZ Pendant 	M-PTZ-JB 	M-PTZ Pendant-EX-L 
	M-PTZ Pendant-EX-S 	M-PTZ-CNR 	M-CM 
	M-PTZ-PM 	M-Parapet 	M-PTZ-WM 

R011322 | Product specifications and availability are subject to change without notice.

© i-PRO Co., Ltd. All Rights Reserved. i-PRO, Viewnetcam.com, Advidia, VideoInsight, CloUDE, and Unified Digital Evidence are registered trademarks or trademarks of i-PRO Co., Ltd. or i-PRO Americas Inc. in various jurisdictions. All other trademarks are the property of their respective owners.