

DS-2CE13DF0T-LXTS

2MP SoundMax Two Way Audio & Siren Fixed Bullet Camera

ColorVu

Two-way Audio



- High quality imaging with 2 MP, 1920 × 1080 resolution
- 24/7 color imaging with F1.0 aperture
- Smart-Hybrid light, optimize your security with flexible lighting options
- 3D DNR technology delivers clean and sharp images
- Up to 40 m white light and 40 m IR distance for bright night imaging
- Active strobe light and audio alarm to warn intruders off
- Built-in mic, high quality audio with audio over coaxial cable
- Provide real-time security via built-in two-way audio
- Water and dust resistant (IP67)

▪ Specification

Camera	
Image Sensor	2 MP CMOS
Max. Resolution	1920 (H) × 1080 (V)
Min. Illumination	0.001 Lux @ (F1.0, AGC ON), 0 Lux with white light
Shutter Time	PAL: 1/25 s to 1/28000 s, NTSC: 1/30 s to 1/28000 s
Day & Night	ICR
Angle Adjustment	Pan: 0° to 360°, Tilt: 0° to 180°, Rotation: 0° to 360°
Signal System	PAL/NTSC
Lens	
Lens Type	2.8 mm, 3.6 mm fixed focal lens
Focal Length & FOV	2.8 mm, horizontal FOV: 105°, vertical FOV: 60°, diagonal FOV: 138° 3.6 mm, horizontal FOV: 90°, vertical FOV: 50°, diagonal FOV: 109°
Lens Mount	M12
Microphone	
Pickup Distance	In a radius of up to 5 m
Amount	1
Speaker	
Rated Power	2 W
Speaker Range	In a radius of up to 20 m
Illuminator	
Supplement Light Type	Smart, IR, White Light
Supplement Light Range	IR: Up to 40 m, White Light: Up to 40 m
Image	
Image Parameters Switch	STD/HIGH-SAT/HIGHLIGHT
Image Settings	Anti-banding, Saturation, Brightness, Contrast, Sharpness
Frame Rate	1080p@25fps/30fps
Day/Night Mode	Auto/Color
Wide Dynamic Range (WDR)	Digital WDR
Image Enhancement	Global, DWDR, BLC, HLC
Noise Reduction	3D DNR
White Balance	Auto, Manual
Audio	
Audio Function	Echo Cancellation, AI Noise Reduction, Automatic Gain Control
Interface	
Video Output	1 HD analog output
Event	
Light Alarm	Flashing Light Alarm (Red and Blue)
Audible Alarm	Yes
General	
Power	12 VDC ± 25%, max. 10.7 W, *You are recommended to use one power adapter to supply the power for one camera. If a high-impedance cable is used (such as the 18 m extension cable in the kit package), an 18 VDC adapter is required.

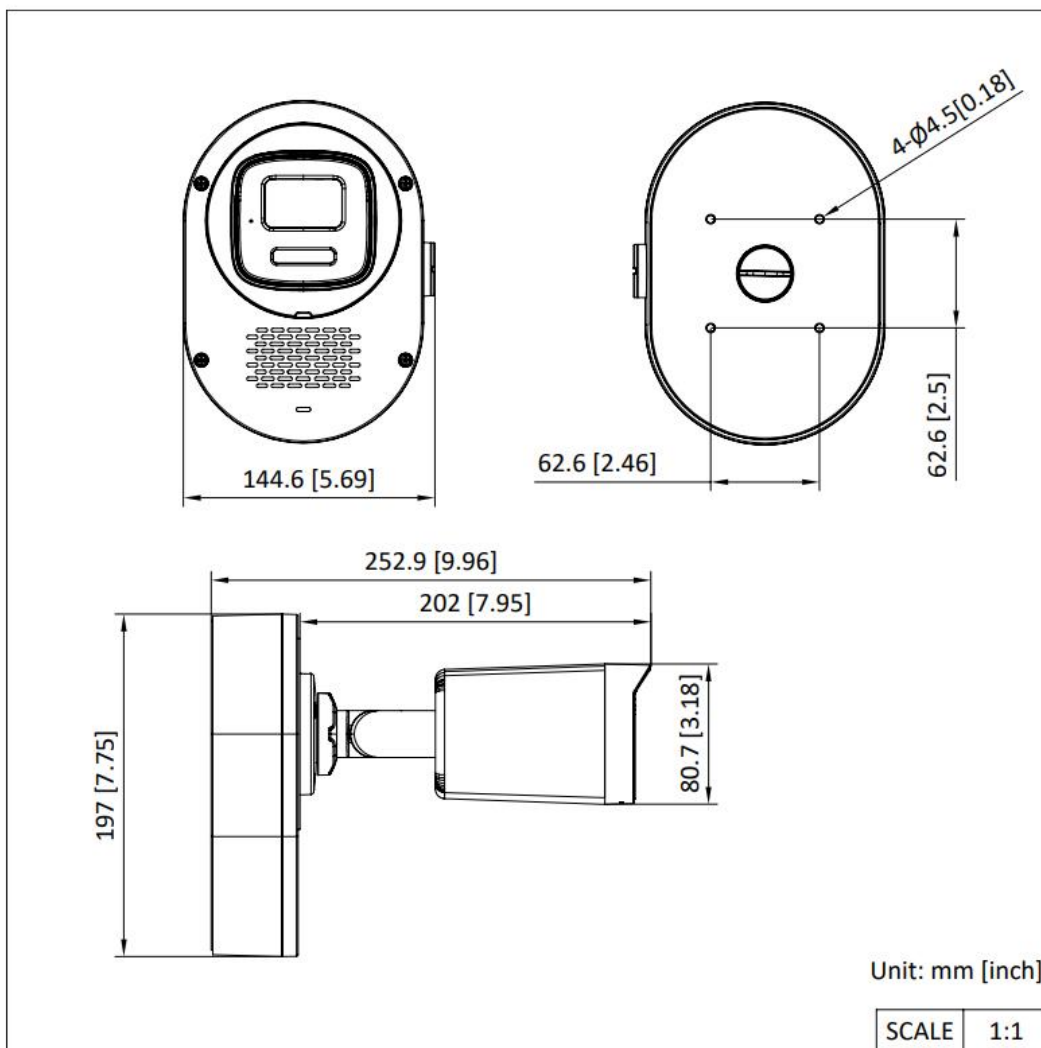
Material	Front cover: Metal Main body: Plastic Bracket: Metal Junction box: Plastic
Weight	Approx. 1170 g (2.6 lb.)
Operating Condition	-40 °C to 60 °C (-40 °F to 140 °F). Humidity 90% or less (non-condensing)
Communication	HIKVISION-C
Language	English
Dimension	252.9 mm × 197 mm × 144.6 mm (10.0" × 7.8" × 5.7")
Approval	
Protection	IP67

▪ **Available Model**

DS-2CE13DF0T-LXTS(2.8mm)

DS-2CE13DF0T-LXTS(3.6mm)

▪ **Dimension**



▪ **Accessory**

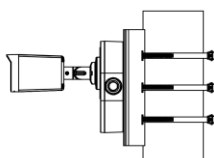
▪ **Optional**

DS-1275ZJ-SUS



▪ Installation Methods

Vertical Pole
Mounting
DS-1275ZJ-SUS



See Far, Go Further



www.hikvision.com
support@hikvision.com

