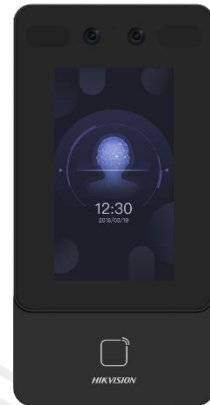


## DS-K1T342EX-E1 Face Recognition Terminal



Face recognition terminal adopts deep learning algorithm, which helps to recognize the face faster with higher accuracy. It also supports multiple authentication modes: face/card authentication, etc. It can be applied in multiple scenarios, such as buildings, enterprises, financial industries, and other important areas.

- Max.1500 faces capacity, and Max.3000 cards
- Face Recognition Terminal, 4.3-inch LCD touch screen, 2 Mega pixel wide-angle lens, built-in EM card reading module
- Two-way audio with client software, indoor station, and main station; Supports TCP/IP
- Supports ISAPI, ISUP5.0
- Configuration via the web client
- Face Recognition Distance: 0.3 m to 1.5 m; Duration < 0.2 s/User; Accuracy rate ≥ 99%
- Supports face with mask recognition
- Powers supply by standard PoE and at the same time powers supply for door lock (12 VDC/1 A)
- Supports platform-applied personal PIN and device-set personal PIN

## ▪ Specification

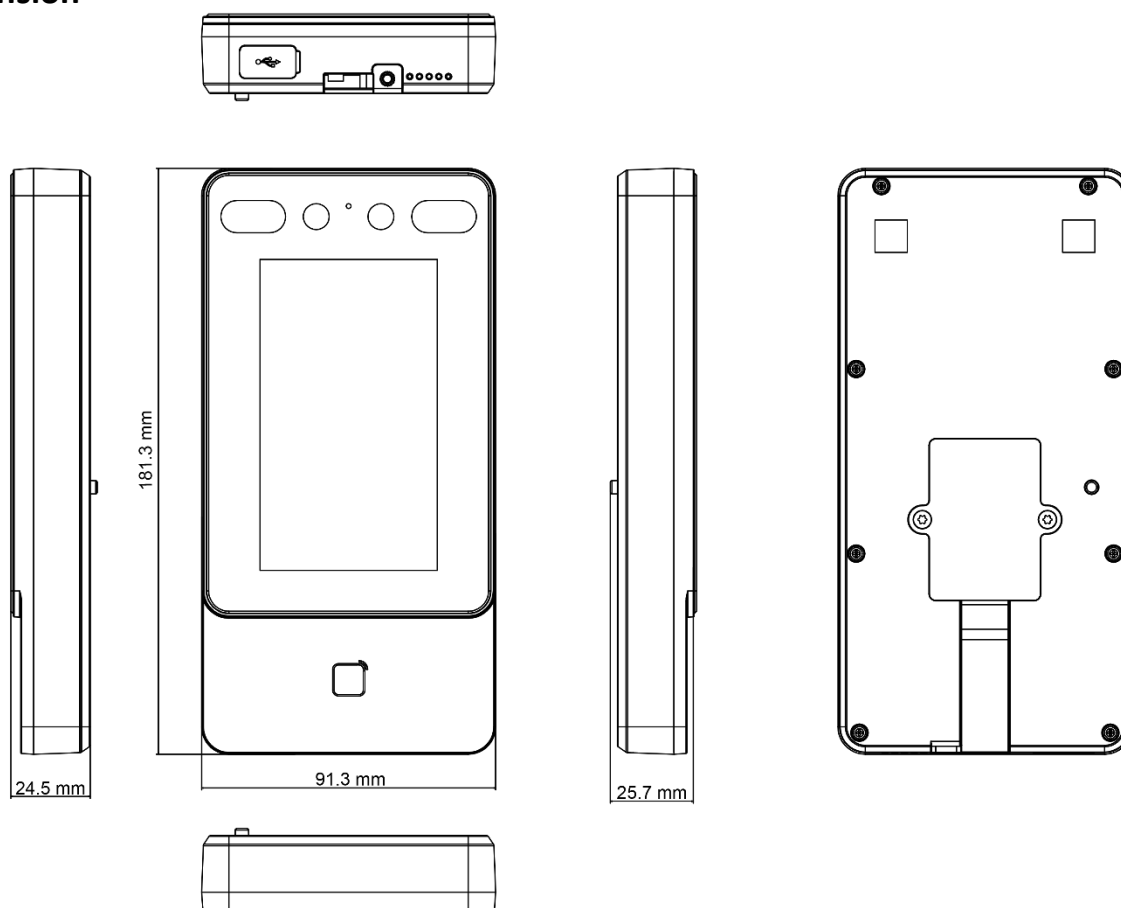
System	
Operation system	Linux
Display	
Dimensions	4.3-inch
Resolution	272 × 480
Type	LCD
Operation method	Capacitive touch screen
Video	
Pixel	2 MP
Lens	× 2
Video standard	PAL (Default) and NTSC
Network	
Wired network	10 M/100 M self-adaptive
Interface	
PoE	IEEE802.3at, standard PoE
Network interface	1
RS-485	1
Wiegand	1
Lock output	1
Exit button	1
Door contact input	1
TAMPER	1
USB	1
Capacity	
Card capacity	3,000
Face capacity	1,500
Event capacity	150,000
Authentication	
Card type	EM card
Card reading frequency	125 KHz
Face recognition duration	< 0.2 s
Face recognition accuracy rate	> 99%
Face recognition distance	0.3 to 1.5 m
General	
Power supply	Power input: Power interface (power adapter included, 12 VDC/1 A) or PoE (37 to 57 VDC/0.6 A) Power output: Power supply for door lock, 12 VDC/1 A (only when the device is powered by PoE supporting powering supply for door lock)
Working temperature	-10 °C to 40 °C (14 °F to 104 °F)
Working humidity	0 to 90% (No condensing)
Dimensions	91.3 mm × 181.3 mm × 25.7 mm (3.59" × 7.14" × 1.01")
Application environment	Indoor

Installation	Wall Mounting; Base Mounting
Protective level	IP65
Language	English, Spanish (South America), Arabic, Thai, Indonesian, Russian, Vietnamese, Portuguese (Brazil), Korean; Japanese
Weight	Gross weight: 0.93 kg (2.05 lbs) Net weight: 0.36 kg (0.79 lbs)
<b>Function</b>	
Face anti-spoofing	Support
Audio prompt	Support
Time synchronization	Support

▪ **Available Model**





DS-K1T342EX-E1

▪ **Dimension**



▪ **Accessory**

▪ **Optional**

DS-KAB6-ZU1	DS-KAB671-P2	DS-KAB34X-S1	DS-KAB6-W1
			

**Headquarters**

No.555 Qianmo Road, Binjiang District,  
Hangzhou 310051, China  
T +86-571-8807-5998  
www.hikvision.com



Follow us on social media to get the latest product and solution information.

