

HCD-6020R

2MP Analog IR Dome Camera



Key Features

- Full HD (1,920 x 1,080) Resolution
- 0.17Lux@F1.6 (Color), 0Lux (B/W : IR LED on)
- Built-in 4mm fixed lens
- Day & Night (ICR), WDR (120dB)
- SSSNRIV, Motion detection
- Transmission distance max.500m

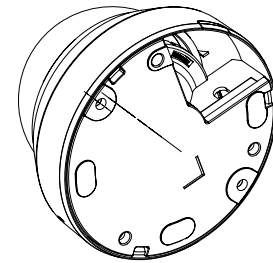
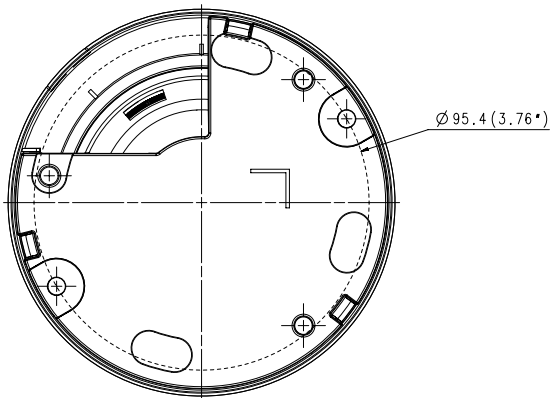
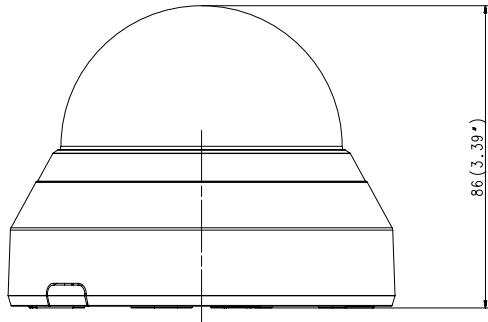
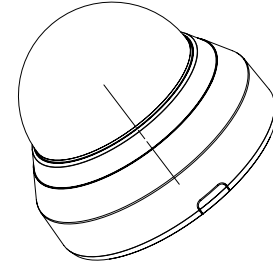
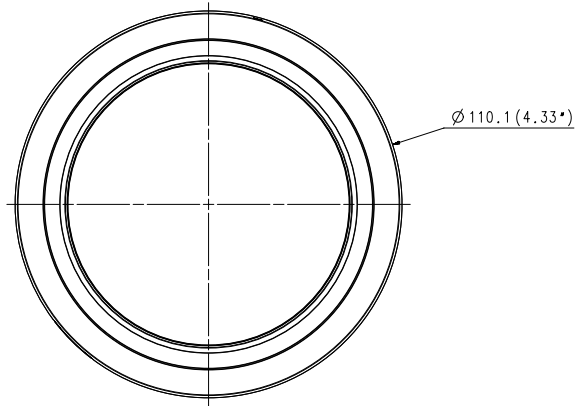
Compatible Accessories (Optional)



Video	
Imaging Device	1/2.8" 2M CMOS
Resolution	1920 x 1080
Max. Framerate	30fps @1080p(N), 25fps @ 1080p(P)
Min. Illumination	Color : 0.17Lux (F1.6, 1/30sec) B/W : 0Lux(IR LED on)
Video Out	BNC(AHD / TVI / CVI / CVBS Selectable)
Video Transmission Distance	500m(5C2V Coaxial Cable)
Lens	
Focal Length (Zoom Ratio)	4mm fixed focal
Max. Aperture Ratio	F1.6
Angular Field of View	H: 87.6° / V: 46.4° / D: 104.5°
Min. Object Distance	0.5m(1.64ft)
Focus Control	Manual
Pan / Tilt / Rotate	
Pan / Tilt / Rotate Range	0°~350° / 0°~67° / 0°~355°
Operational	
Camera Title	Displayed up to 15 characters
Day & Night	Auto(ICR)
Backlight Compensation	BLC, HLC, WDR
Wide Dynamic Range	120dB
Digital Noise Reduction	SSNRIV
Defog	Support
Motion Detection	4ea
Privacy Masking	8ea, rectangular zones
Gain Control	Low / Middle / High / Very High
White Balance	ATW / AWC / Manual / Indoor / Outdoor
Electronic Shutter Speed	1 ~ 1/12,000sec
Video Rotation	H-Rev / V-Rev
Analytics	Motion detection
IR Viewable Length	20m(65.62ft)
Coaxial Protocol	ACP(AHD Coax Protocol), TCP(TVI Coax Protocol), CCP(CVI Coax Protocol) CVBS : Pelco-C(Coaxitron)
Environmental & Electrical	
Operating Temperature / Humidity	-10°C ~ +55°C(+14°F ~ +131°F) / Less than 90% RH
Input Voltage	12VDC
Power Consumption	Max 5.4W
Mechanical	

Color / Material	Ivory / Plastic
Product Dimensions / Weight	Ø110 x 86mm(4.33 x 3.39"), 227g(0.50 lb)

- The latest product information / specification can be found at hanwha-security.com
- Design and specifications are subject to change without notice.
- Wisenet is the proprietary brand of Hanwha Techwin, formerly known as Samsung Techwin.



SCD-6023R
Appearance Drawing
Unit:mm(inch)