

HCO-6020R

2MP Analog IR Bullet Camera



Key Features

- Full HD (1,920 x 1,080) Resolution
- 0.17Lux@F1.6 (Color), 0Lux (B/W : IR LED on)
- Built-in 4mm fixed lens
- Day & Night (ICR), WDR (120dB)
- SSNRIV, Motion detection
- Transmission distance max.500m

Compatible Accessories (Optional)



SBO-100B1

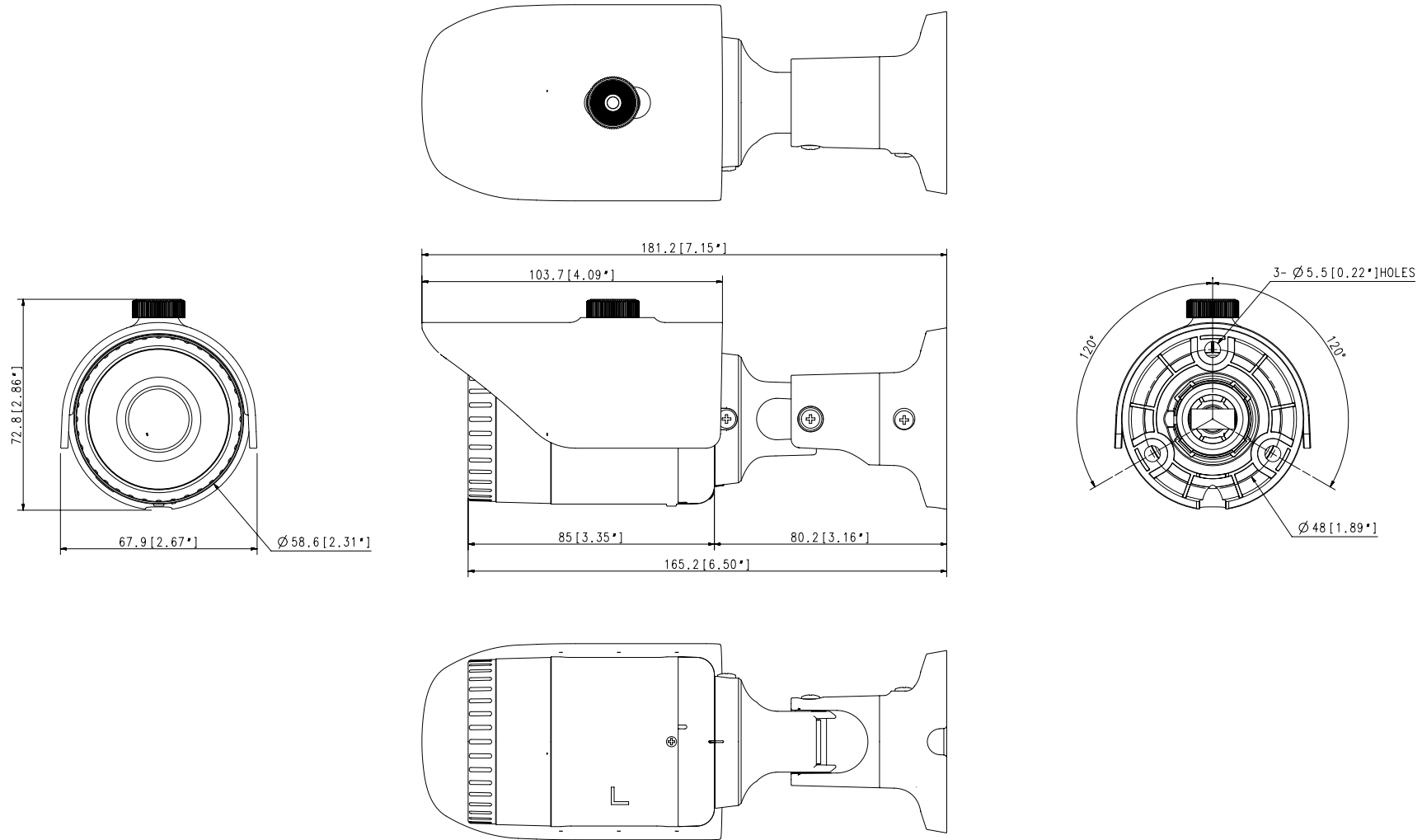


SBP-302PM

Video	
Imaging Device	1/2.8" 2M CMOS
Resolution	1920 x 1080
Max. Framerate	30fps @1080p(N), 25fps @ 1080p(P)
Min. Illumination	Color : 0.17Lux (F1.6, 1/30sec) B/W : 0Lux(IR LED on)
Video Out	BNC(AHD / TVI / CVI / CVBS Selectable)
Video Transmission Distance	500m(5C2V Coaxial Cable)
Lens	
Focal Length (Zoom Ratio)	4mm fixed focal
Max. Aperture Ratio	F1.6
Min. Object Distance	0.5m(1.64ft)
Focus Control	Manual
Operational	
Camera Title	Displayed up to 15 characters
Day & Night	Auto(ICR)
Backlight Compensation	BLC, HLC, WDR
Wide Dynamic Range	120dB
Digital Noise Reduction	SSNRIV
Defog	Support
Motion Detection	4ea
Privacy Masking	8ea, rectangular zones
Gain Control	Low / Middle / High / Very High
White Balance	ATW / AWC / Manual / Indoor / Outdoor
Electronic Shutter Speed	1 ~ 1/12,000sec
Video Rotation	H-Rev / V-Rev
Analytics	Motion detection
IR Viewable Length	30m(98.43ft)
Coaxial Protocol	ACP(AHD Coax Protocol), TCP(TVI Coax Protocol), CCP(CVI Coax Protocol) CVBS : Pelco-C(Coaxitron)
Environmental & Electrical	
Operating Temperature / Humidity	-30°C ~ +55°C(-22°F ~ +131°F) / Less than 90% RH
Certification	IP66
Input Voltage	12VDC
Power Consumption	Max 5.4W
Mechanical	
Color / Material	Dark Gray / Plastic
Product Dimensions / Weight	Ø58.6 x 165.2mm(2.31 x 6.50"), 279g(0.62 lb)

- The latest product information / specification can be found at hanwha-security.com
- Design and specifications are subject to change without notice.
- Wisenet is the proprietary brand of Hanwha Techwin, formerly known as Samsung Techwin.

NO	PART NAME	CODE NO.	MATERIAL	Q'TY	REMARK
1	APPEARANCE HCO-6020R	-	MATERIAL	1	REMARK



STANDARD TOLERANCE

DIV	h1	h2	h3	h4	h5
0-16	+0.05	+0.1	+0.1	+0.2	+0.3
16-63	+0.05	+0.1	+0.2	+0.3	+0.4
63-250	+0.1	+0.2	+0.3	+0.4	+0.4
250-1000	+0.2	+0.3	+0.4	+0.5	+0.6

CHANGE

UNIT	mm	DESIGN	CHECK	APPROVAL	PART NAME	APPEARANCE HCO-6020R
SCALE	1/1	Mu Yi	-	-	MODEL NAME	HCO-6020R
		16.01.08	-	-	CODE NO.	-