

HCO-6070R

1080p Analog HD IR Bullet Camera



Key Features

- Full HD resolution
- 0.11 Lux@F1.6 (Color), 0 Lux (B/W : IR LED on)
- 3.2 ~ 10mm (3.1x) V/F lens
- Day & Night (ICR), WDR (120dB)
- SSNRIV, Motion detection
- IR viewable length 30m, IP66, IK10
- Transmission distance max.500m
- Easy Installation (Plug & play), Dual power

Compatible Accessories (Optional)



SBO-100B1



SBP-302PM

Video	
Imaging Device	1/2.8" 2MP CMOS
Resolution	1920x1080
Max. Framerate	30fps / 25fps(60Hz / 50Hz)
Min. Illumination	Color : 0.11Lux(F1.6)(30IRE) BW : 0Lux(IR LED on)
Video Out	BNC(AHD / TVI / CVI / CVBS Selectable)
Video Transmission Distance	500m(5C2V Coaxial Cable)
Lens	
Focal Length (Zoom Ratio)	3.2~10mm(3.1x) manual varifocal
Max. Aperture Ratio	F1.6
Angular Field of View	H: 110.2°(Wide) ~ 32°(Tele) / V: 55.4°(Wide) ~ 18°(Tele) / D: 128.4°(Wide) ~ 36.6°(Tele)
Min. Object Distance	0.5m(1.64ft)
Focus Control	Manual
Lens Type	DC auto iris
Operational	
Camera Title	Displayed up to 15 characters
Day & Night	Auto(ICR)
Backlight Compensation	BLC, HLC, WDR
Wide Dynamic Range	120dB
Digital Noise Reduction	SSNRIV
Defog	Support
Motion Detection	4ea
Privacy Masking	8ea, rectangular zones
Gain Control	Low / Middle / High / Very High
White Balance	ATW / AWC / Manual / Indoor / Outdoor
Electronic Shutter Speed	1 ~ 1/12,000sec
Video Rotation	H-Rev / V-Rev
Analytics	Motion detection
Alarm I/O	MD output 1ea
Alarm Triggers	Analytics
Alarm Events	Alarm output
IR Viewable Length	30m(98.43ft)
Coaxial Protocol	ACP(AHD Coax Protocol), TCP(TVI Coax Protocol), CCP(CVI Coax Protocol) CVBS : Pelco-C(Coaxitron)
Environmental & Electrical	
Operating Temperature / Humidity	-30°C ~ +55°C(+22°F ~ +131°F) / Less than 90% RH
Certification	IP66, IK10
Input Voltage	24VAC, 12VDC

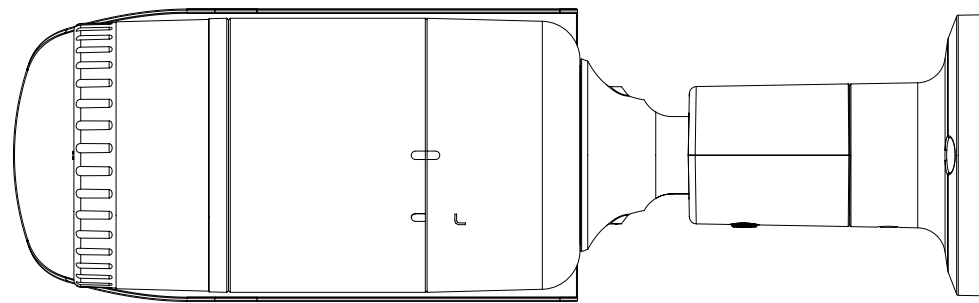
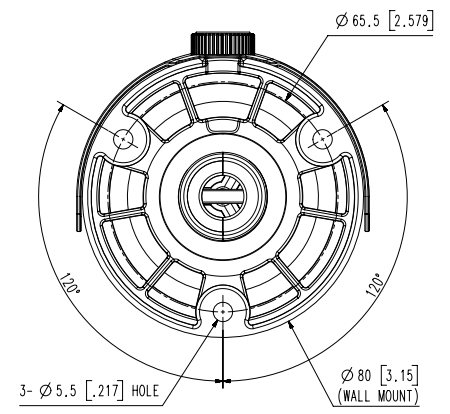
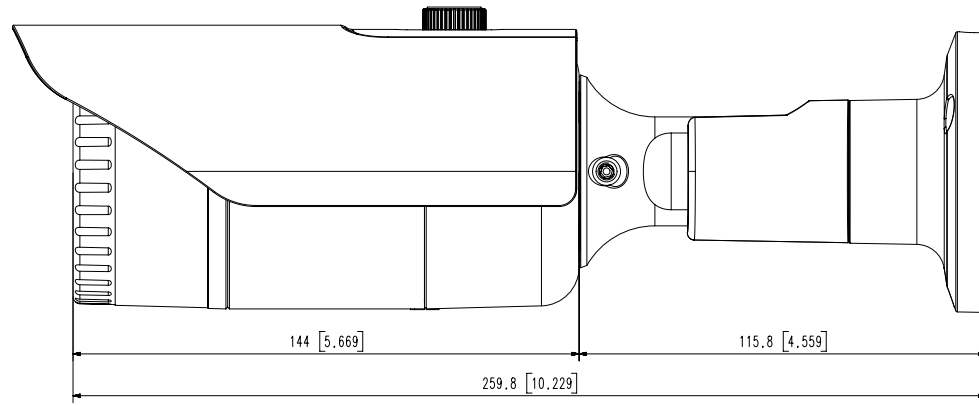
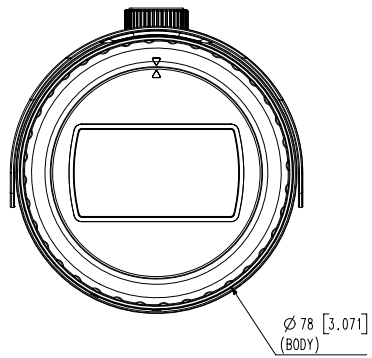
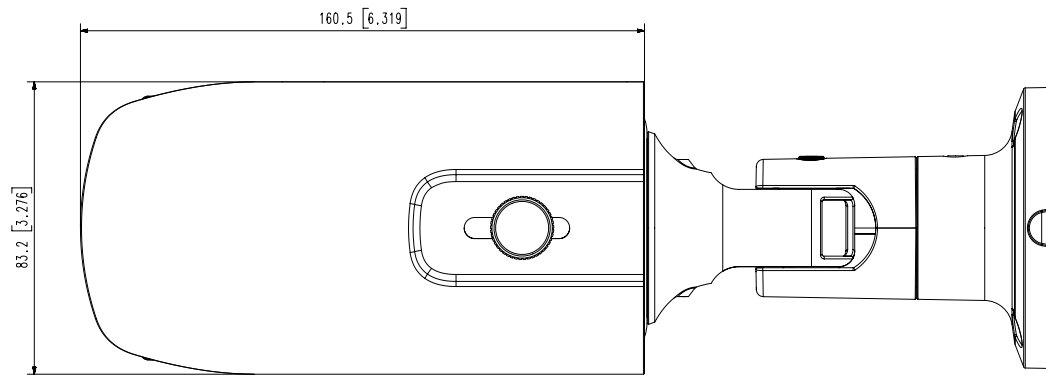
Power Consumption	Max 6W
--------------------------	--------

Mechanical	
-------------------	--

Color / Material	Dark grey / Aluminum
-------------------------	----------------------

Product Dimensions / Weight	Ø78.0x259.8mm(3.07x10.23"), 914g(2.02 lb)
------------------------------------	---

- The latest product information / specification can be found at hanwha-security.com
- Design and specifications are subject to change without notice.
- Wisenet is the proprietary brand of Hanwha Techwin, formerly known as Samsung Techwin.



UNIT : mm [inch]
SCALE : 1/1