

PRP-4000H8

72CH SSM Recording Server



Key Features

- Intel Xeon 3.6GHz Processor
- Windows 10 IoT Enterprise on M.2 SSD
- SSM v2.10.0 Preinstalled
- Simultaneous All Channel Live Monitoring and Playback
- Calendar / Event / Bookmark / Smart Search
- RAID-0 / 1 / 5 / 6 and Hot-Swap Support
- Dual Track Recording, Active-Active Failover Support
- Server Clustering Support
- VGA, HDMI, Display port Support
- 8 Bay Support

Related Products



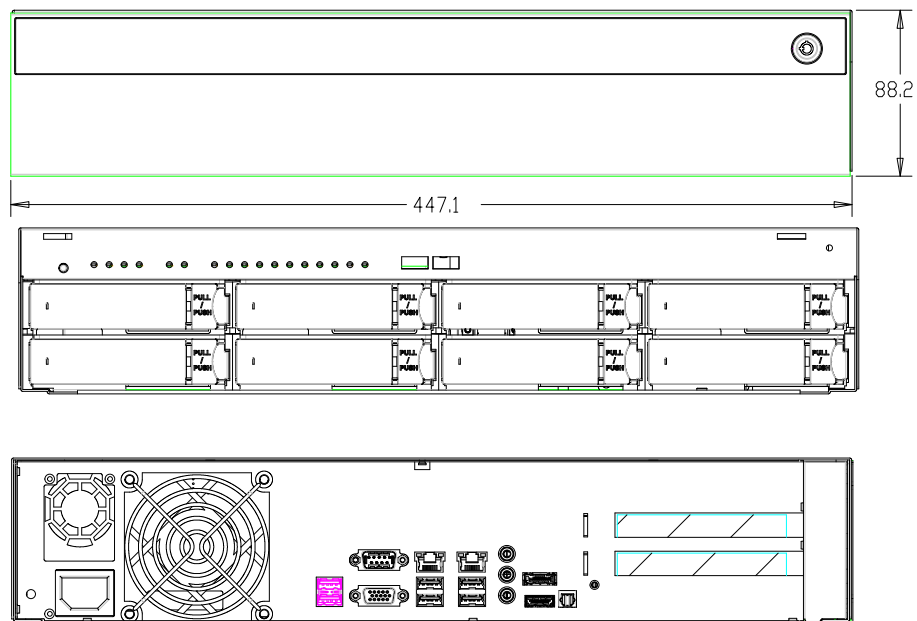
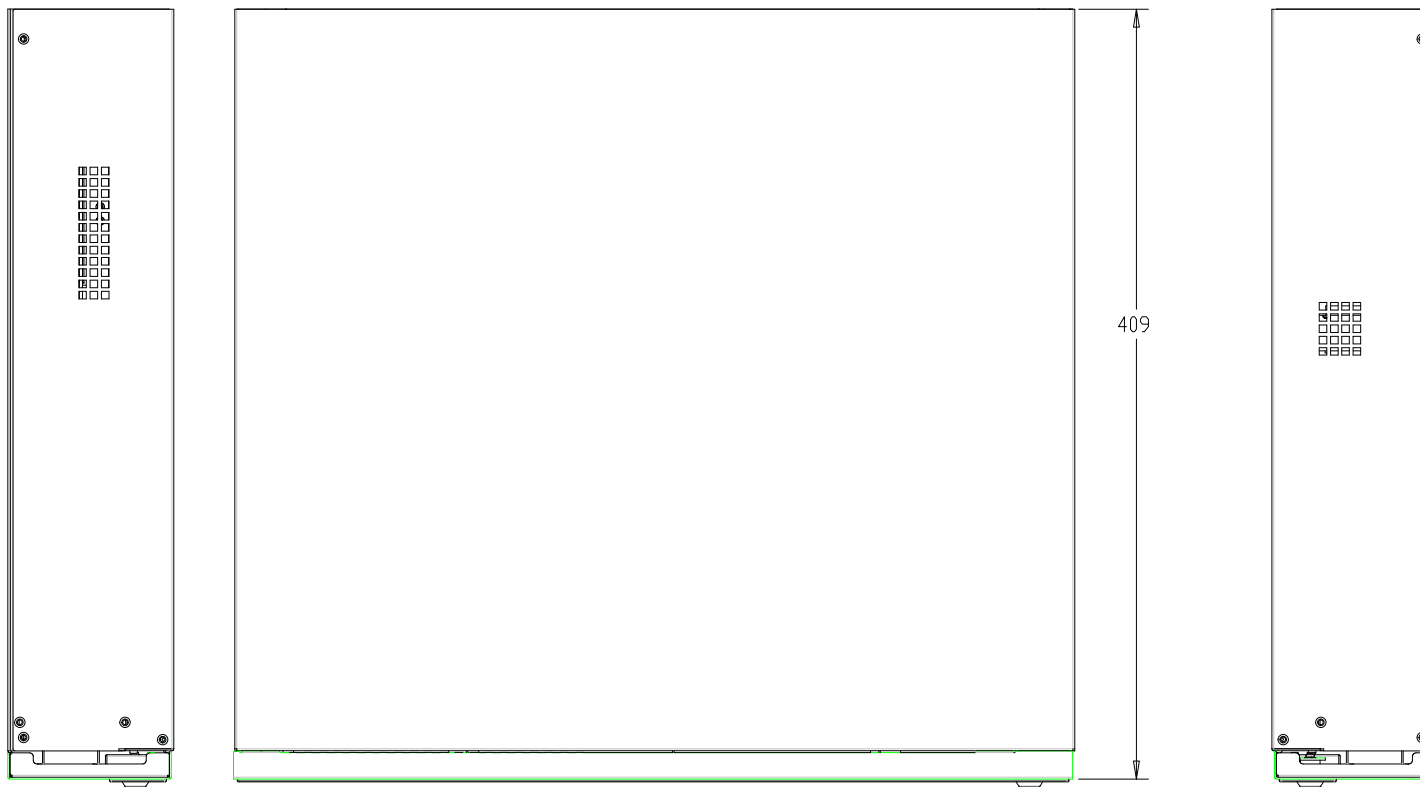
PRP-5000H16

Display		
Network camera	Inputs	Max. 72CH (※ If clustering, 132CH)
	Resolution	12MP ~ CIF
	Protocols	Wisenet, ONVIF
Decoding	Local Display	Dual if Full HD monitor Single if UHD monitor
	Multi Screen Display	1/4/9/16/25/36/49/64/72/81/100/121/132/Custom/Auto Mode
	Resolution	1080fps@640x360 (72 division) 3840fps@640x360 (128 division) 1080fps@1920x1080 (36 division) 420fps@2592x1944 (14 division) 270fps@3840x2560 (9 division)
Performance		
Operating System	Embedded	Windows 10 IoT Enterprise (SSM preinstalled)
Record	Compression	H.265, H.264, MJPEG, WiseStream(H.264, H.265)
	Recording Bandwidth	Max. 400Mbps
	Resolution	12MP ~ CIF
	Mode	Normal, Schedule (Continuous / Event), Event (Pre / Post), Event Profile, ARB, Dual-Track
	Event Trigger	Video loss, Camera event(Sensor, MD, Passing, Entering, Exiting, Disappearing (Appearing), Tampering, Tracking, Face Detection, Audio Detection)
	Event Action	Instant Viewer, Preset, Alarm Out, Pop-up, Sound and E-mail notification
Search & Play	Playback Bandwidth	Max. 150Mbps
	User	Max. 1024 Users (132Ch concurrently)
	Simultaneous playback	Max. 72ch (1080p/720p) ※ if Clustering, 132CH
	Fisheye Dewarping	Console
Storage	Supported HDD	Up to 10TB
	HDD Slot	SATA 8ea
	RAID	0/1/5/6
Backup	File backup	AVI, SEC
	Function	Manual Backup, Onetime Schedule Backup
Network		
Protocol		IPv4, IPv6, TCP/IP, UDP/IP, RTP (UDP), RTP (TCP), RTSP, NTP, HTTP, DHCP (Client), SMTP, ICMP, IGMP, ARP, DNS, DDNS, SNMP(Client), HTTPS, ONVIF (Profile-S), SUNAPI(Client)
DDNS		Wisenet DDNS
Audio	Input/Output	72CH(network)
	Compression	G.711 u-law(PCM), G723, G726(ADPCM), AAC
	Audio Communication	2-Way
Max Remote Users		1024 (Tested)

Security		HTTPS(SSL) Login Authentication Digest Login Authentication IP Address Filtering User access log Device Certificate(Hanwha Techwin Root CA)
Viewer Software		SSM Client, SSM Mobile
Functions		
Camera Setup	Item	Automatic device IP scanning, Add profile edit, Resolution, Fisheye dewarping mode, Hallway View Setup, Brightness/Contrast, Viewing the device settings(Device webpage), Exporting/Importing devices settings,, Updating the device firmware
PTZ	Control	Via GUI, Controller (SPC-2000, SPC-7000)
	Preset	300
Smart phone	Support Model	iOS, Android
	Protocol Support	RTP, RTSP, HTTP, HTTPS, CGI(SUNAPI)
	Control	Live(Multi-Profile Support), Playback
	Max. Remote Users	Max. 1024 Users (132Ch concurrently)
Redundancy	Failover	Active&Active, Active-Standby
	ARB	Support
Interface		
HDD Key Lock		Yes
HDMI		1EA
VGA		1EA
DP		1EA
Audio		Out(1EA Line)
Ethernet		RJ-45(10/100/1000BASE-T) x 2
USB		6EA(Front 2, Back 4)
Power inlet		AC 1EA
System		
System Control		Mouse, Keyboard
Language		English, French, German, Italian, Spanish, Russian, Turkish, Polish, Dutch, Swedish, Czech, Portuguese, Danish, Rumanian, Serbian, Croatian, Hungarian, Greek, Norwegian, Finnish, Korean, Chinese, Japanese, Thai, Vietnamese
Environmental		
CPU		Xeon E3-1275 v5 (8M Cache 3.6GHz)
RAM		8GB RAM 2EA
OS HDD		M.2 SSD 128Gb
Operating Temperature		+5°C ~ +40°C (+41°F ~ +104°F)
Operating Humidity		Less or equal to 80%
Electrical		
Power Input		100 ~ 240VAC, 50 ~ 60Hz

Power Consumption	350W Single
Mechanical	
Color / Material	Black / Metal
Dimension (WxHxD)	447.1 x 88.2 x 409mm (2U, 19" Rackmount)
Weight	7.38Kg (HDD excluded)

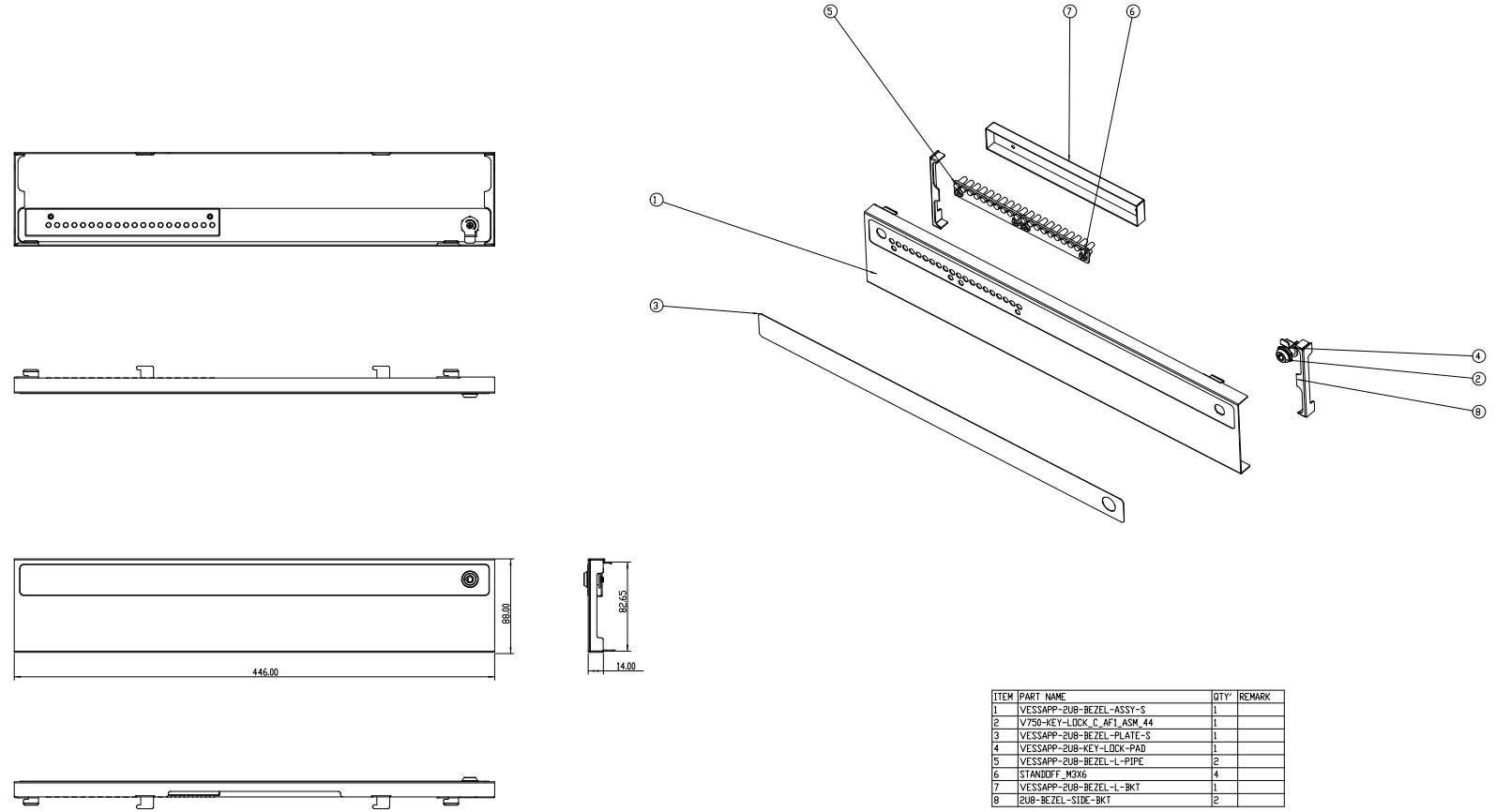
- The latest product information / specification can be found at hanwha-security.com
- Design and specifications are subject to change without notice.
- Wisenet is the proprietary brand of Hanwha Techwin, formerly known as Samsung Techwin.



11 12 13 14 15 16 17 18 19 110 111 112

-XX	REV	SET	ZONE	DESCRIPTION	DATE	APPROVED

A
B
C
D
E
F
G
H
I



ITEM	PART NAME	QTY	REMARK
1	VESSAPP-ZUB-BEZEL-ASSY-S	1	
2	V750-KEY-LOCK_C_AFI_ASM_44	1	
3	VESSAPP-ZUB-BEZEL-PLATE-S	1	
4	VESSAPP-ZUB-KEY-LOCK-PAD	1	
5	VESSAPP-ZUB-BEZEL-L-PIPE	2	
6	STANDOFF_M3X6	4	
7	VESSAPP-ZUB-BEZEL-L-BKT	1	
8	ZUB-BEZEL-SIDE-BKT	2	

Dimensions are in mm
Unless otherwise specified Tolerance :

0 < X <= 15	± 0.1
15 < X <= 100	± 0.2
100 < X <= 300	± 0.3
300 < X	± 0.4
Angles	± 0.5°

PROMISE PROMISE TECHNOLOGY, INC.

DRAWN	JAY	CHECKED	JAY	TITLE	VESSAPP-ZUB-BEZEL-ASSY-S	REV	A
CHECKED		MATERIAL		SIZE	A4	DATE	2016.01.28
ISSUED		FINISH		SCALE	0.4	SHEET	1 of 1

DO NOT SCALE DRAWING