



SLA-T2480A

2.4mm Fixed Lens Module

Key Features

2.4mm fixed lens module, compatible with the PNM-9000QB / XNB-6002, straight body style, 2MP, 0.45 Lux, 120dB WDR, 138° horizontal field of view, 8 meters (26 feet cable), Cable can be shortened as needed. Metal shielded cable/connector.

SLA-T2480A

SLA-T2480A

2.4mm Fixed Lens Module



Specifications

Video

Imaging Device	Size	1/2.8"
	Type	CMOS
Min. Illumination (Lux)	Color(1/30sec, 30IRE)	0.045
	BW(1/30sec, 30IRE)	0.045

Lens

Focal Length (mm)		2.4
Max. Aperture Ratio (F number)	Wide	2.0
	Tele	2.0
Angular Field of View	Horizontal	138°
	Vertical	73°
	Diagonal	165°
Mount Type		RJ12 connected with main unit
Focus Control		Fixed

Environmental & Electrical

Operating Condition	Temperature	-10°C ~ +55°C (+14°F ~ +131°F)
	Humidity	Less than 90% RH
Storage Condition	Temperature	-50°C~+60°C(-58°F~+140°F)
	Humidity	Less than 90% RH

Mechanical

Color	Black
Material	Plastic
Product Dimensions	Ø24xL49.8mm
Product Weight	318g
Supported Products	XNB-6002, PNM-9000QB, PNM-C20000QB, XNB-A8004B

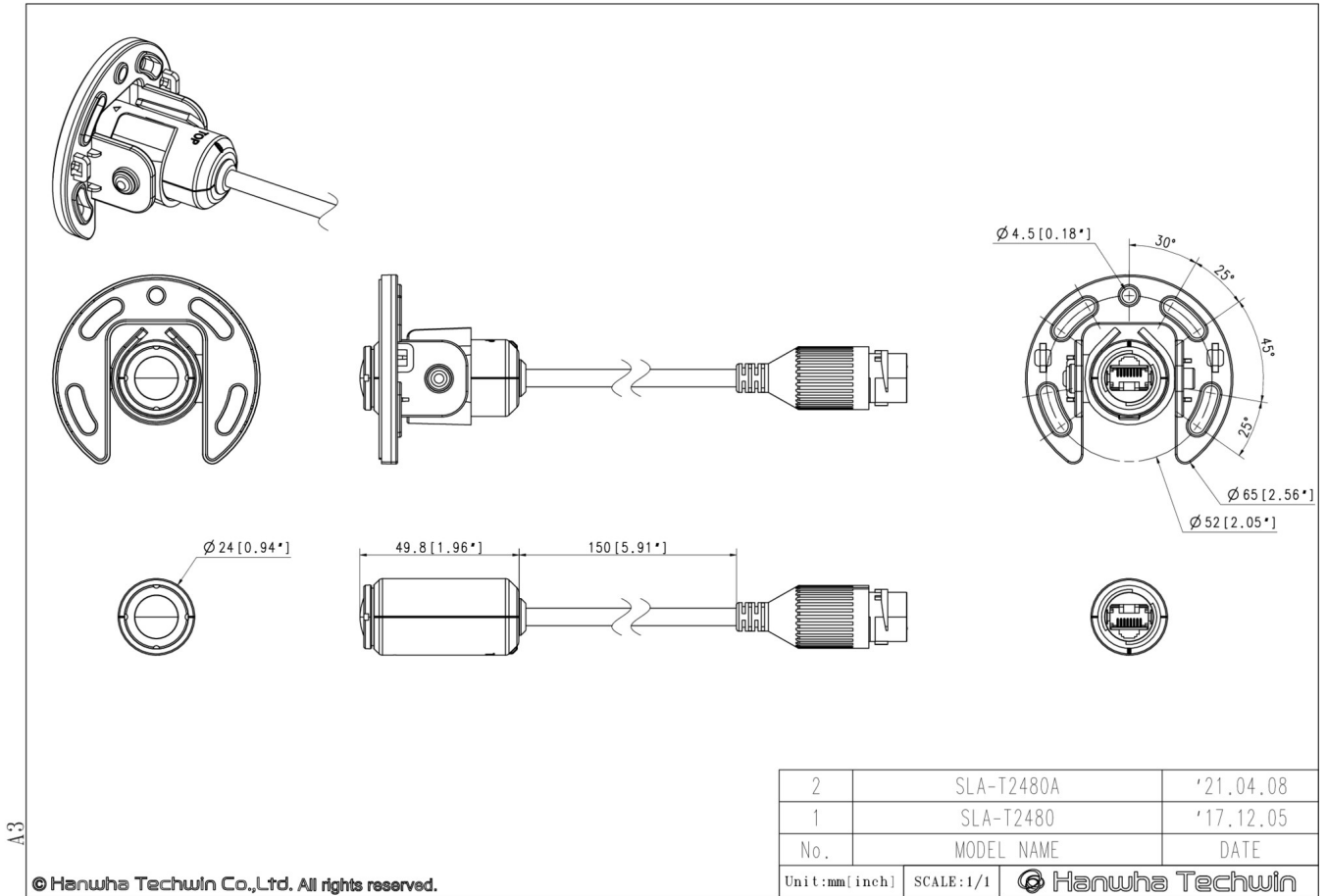
SLA-T2480A

2.4mm Fixed Lens Module



CAD

Unit: mm [inch]



A3

© Hanwha Techwin Co., Ltd. All rights reserved.