



# SLA-T2480VA

## 2.4mm Fixed Lens Module

### Key Features

2.4mm fixed lens module, compatible with the PNM-9000QB / XNB-6002, right angle body style, 2MP, 0.45 Lux, 120dB WDR, 138° horizontal field of view, 8 meters/ 26 feet cable, Cable can be shortened as needed. Metal shielded cable/connector.

# SLA-T2480VA

## 2.4mm Fixed Lens Module



## Specifications

### Video

Imaging Device	Size	1/2.8"
	Type	CMOS
Min. Illumination (Lux)	Color(1/30sec, 30IRE)	0.045
	BW(1/30sec, 30IRE)	0.045

### Lens

Focal Length (mm)		2.4
Max. Aperture Ratio (F number)	Wide	2.0
Angular Field of View	Horizontal	138°
	Vertical	73°
	Diagonal	165°
Mount Type		RJ12 connected with main unit
Focus Control		Fixed

### Mechanical

Color	Black
Material	Plastic, Metal
Product Dimensions	W30xH27.9xD45mm
Product Weight	328g
Supported Products	XNB-6002, PNM-9000QB, PNM-C2000QB, XNB-A8004B

# SLA-T2480VA

2.4mm Fixed Lens Module

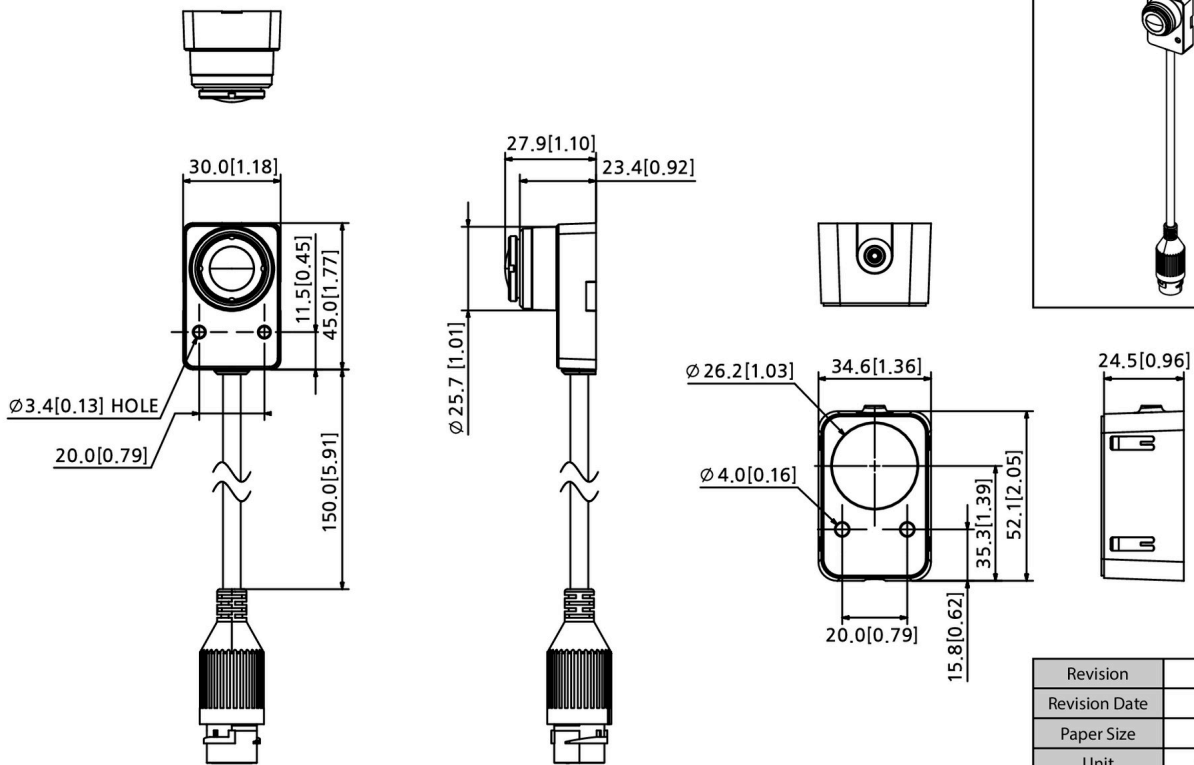
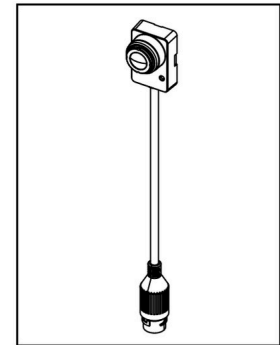


CAD

Unit: mm [inch]

## SLA-T2480VA 2MP Lens Module for PNM-9000QB

Reference image



© Hanwha Vision Co., Ltd. All right reserved.

Revision	V1.3
Revision Date	25/05/29
Paper Size	A3
Unit	mm [inch]
Scale	1 : 1