



SPM-4210

I/O Box



Key Features

- Alarm/Audio I/O Box for PTZ PLUS cameras
- 1 RJ45 port
- 4 Selectable I/O ports
- 2 Audio I/O port (1 each)
- Power : PoE only / Consumption: Max 4.5W
- Dimensions :143mm x 73mm x 27.3mm (5.63" x 2.87" x 1.07")
- Weight : 171g (0.38lb)
- Color : White

Compatible Accessories (Optional)



XNP-9250R



XNP-8250



XNP-8250R



XNP-9300RW



XNP-8300RW



XNP-6400RW



XNP-9250



XNP-6400



XNP-6400R

SPM-4210

I/O Box



Specifications

Operational	
Alarm I/O	Configurable 4 Ports\n12 V DC output, max load 50 mA
Audio In	Selectable(mic in/line in)
Audio Out	Line out, Max.output level: 1Vrms
Network	
Ethernet	RJ-45(10/100BASE-T)
Audio Compression	G.711 u-law /G.726 Selectable\nG.726(ADPCM) 8KHz, G.711 8KHz\nG.726: 16Kbps, 24Kbps, 32Kbps, 40Kbps\nAAC-LC: 48Kbps at 16KHz
Protocol	IPv4, IPv6, TCP/IP, UDP/IP, RTP(UDP), RTP(TCP), RTCP,RTSP, NTP, HTTP, HTTPS, SSL/TLS, DHCP, ICMP, ARP, DNS, LLDP
Security	HTTPS(SSL) Login Authentication\nDigest Login Authentication\nIP Address Filtering\nUser access log\n802.1X Authentication(EAP-TLS, EAP-LEAP)\nDevice Certificate(Hanwha Techwin Root CA)
Application Programming Interface	SUNAPI(HTTP API)
General	
Webpage Language	English, Korean, Chinese, French, Italian, Spanish, German, Japanese, Russian, Swedish, Portuguese, Czech, Polish, Turkish, Dutch, Hungarian, Greek
Web Viewer	Support
Memory	4GB RAM, Flash 256MB
Environmental & Electrical	
Operating Temperature / Humidity	-40°C~+60°C(-40°F ~ +140°F) / Less than 95% RH(Non-condensing)\nStart up should be done at above -30°C
Storage Temperature / Humidity	-50°C~+60°C (-58°F~+140°F) / Less than 95% RH(Non-condensing)
Input Voltage	PoE(IEEE802.3af, Class3)
Power Consumption	Max. 4.5W
Mechanical	
Color / Material	White
RAL Code	RAL9003
Product dimensions / weight	143mm x 73mm x 27.3mm / 171g

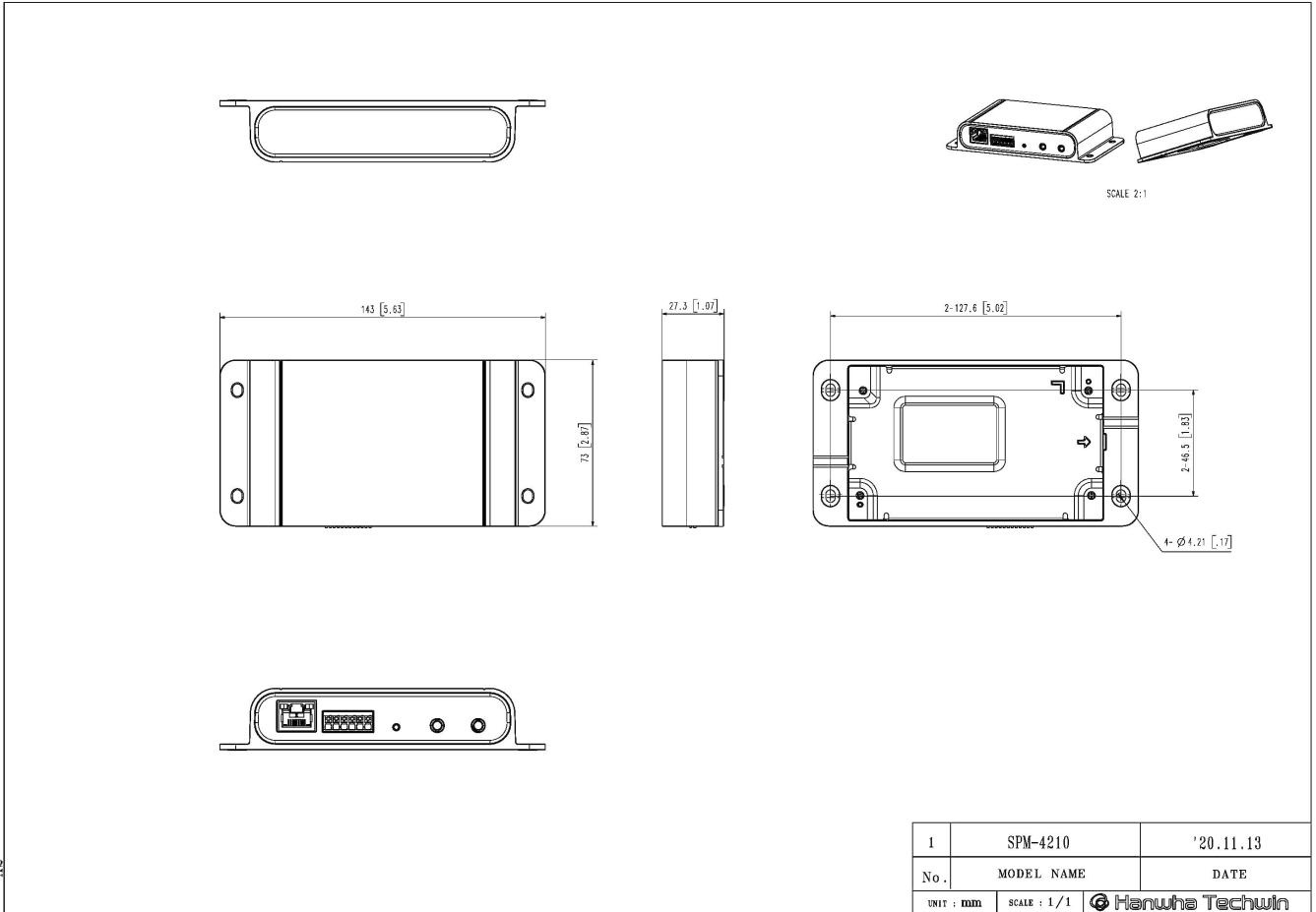
SPM-4210

I/O Box



CAD

Unit:mm [inch]



A2