

# XND-8082RV

6MP Network IR Dome Camera



## Key Features

- 6MP resolution
- 2.8~8.4mm(3x) motorized varifocal
- 0.05Lux@F1.2 (Color), 0Lux (B/W, IR LED on)
- Max.30fps@6MP (H.265/H.264)
- IR viewable length 40m
- Day & Night (ICR), extreme WDR (120dB)
- DIS with built-in Gyro sensor
- Video Analytics(Defocus, Directional detection, Audio detection, Shock detection, Face/Upper body detection)
- Dual SD slots (Max. 1TB)
- Modular structure, PoE support
- IP52, IK10, UL CAP

## Compatible Accessories (Optional)



SBP-167HMW



SPB-IND85W



SBP-300WMW



SBC-160B



SBP-300WMW1



SBP-300LMW



SBP-300KMW



SBP-300PMW



SBP-300BW



SBP-300CMW



SBP-300NBW

Video	
Imaging Device	1/2.8"CMOS
Resolution	3328x1872,3072x1728, 2592x1944, 2688x1520, 1920x1080, 1600x1200, 1280x1024, 1280x960, 1280x720, 1024x768, 800x600, 800x448, 720x576, 720x480, 640x480, 640x360, 320x240
Max. Framerate	H.265/H.264: Max. 30fps/25fps(60Hz/50Hz) MJPEG: Max. 15fps/12fps(60Hz/50Hz)
Min. Illumination	Color: 0.05Lux(F1.2, 1/30sec) B/W: 0Lux(IR LED On)
Video Out	CVBS: 1.0 Vp-p / 75Ω composite, 720x480(N), 720x576(P) for installation USB: Micro USB Type B, 1280x720 for installation
Lens	
Focal Length (Zoom Ratio)	2.8~8.4mm(3x) motorized varifocal
Max. Aperture Ratio	F1.2(Wide)~F2.8(Tele)
Angular Field of View	H: 114°(Wide)~40.2°(Tele) / V: 62.0°(Wide)~22.5°(Tele) / D: 133.0°(Wide)~46.3°(Tele)
Min. Object Distance	0.7m (2.23ft)
Focus Control	Simple focus
Lens Type	DC Auto Iris, P iris
Pan / Tilt / Rotate	
Pan / Tilt / Rotate Range	0°~360° / -45°~85° / 0°~355°
Operational	
Camera Title	Displayed up to 85 characters
Day & Night	Auto(ICR)
Backlight Compensation	BLC, HLC, WDR, SSSDR
Wide Dynamic Range	extremeWDR(120dB)
Digital Noise Reduction	SSNR V
Digital Image Stabilization	Support(built-in gyro sensor)
Defog	Support
Motion Detection	8ea, 8point Polygonal zones
Privacy Masking	32ea, polygonal zones - Color : Gray, Green, Red, Blue, Black, White - Mosaic
Gain Control	Support
White Balance	ATW / Narrow ATW / AWC / Manual / Indoor / Outdoor
LDC	Support
Electronic Shutter Speed	Minimum / Maximum / Anti flicker (1/5~1/12,000sec)
Video Rotation	Flip, Mirror, Hallway view(90°/270°)
Analytics	Defocus detection, Directional detection, Motion detection, Digital auto tracking, Appear/Disappear, Enter/Exit, Loitering, Tampering, Fog detection, Virtual line, Audio detection, Sound classification, Shock detection, Face/upper body detection

Business Intelligence	People counting, Queue management, Heatmap
Alarm I/O	2 configurable I/O ports
Alarm Triggers	Analytics, Network disconnect, Alarm input
Alarm Events	File upload via FTP and e-mail Notification via e-mail SD/SDHC/SDXC or NAS recording at event triggers Alarm output PTZ Preset Handover Audio playback
Audio In	Selectable(mic in/line in/built-in mic) Supply voltage: 2.5VDC(4mA), Input impedance: 2K Ohm
Audio Out	Line out, Max.output level: 1Vrms
IR Viewable Length	40m(131.23ft)
<b>Network</b>	
Ethernet	Metal shielded RJ-45(10/100/1000BASE-T)
Video Compression	H.265/H.264: Main/High, MJPEG
Audio Compression	G.711 u-law /G.726 Selectable G.726(ADPCM) 8KHz, G.711 8KHz G.726: 16Kbps, 24Kbps, 32Kbps, 40Kbps AAC-LC: 48Kbps at 16KHz
Smart Codec	Manual(5ea area), WiseStream II
Bitrate Control	H.264/H.265: CBR or VBR MJPEG: VBR
Streaming	Unicast(20 users) / Multicast Multiple streaming(Up to 10 profiles)
Protocol	IPv4, IPv6, TCP/IP, UDP/IP, RTP(UDP), RTP(TCP), RTCP,RTSP, NTP, HTTP, HTTPS, SSL/TLS, DHCP, FTP, SMTP, ICMP, IGMP, SNMPv1/v2c/v3(MIB-2), ARP, DNS, DDNS, QoS, UPnP, Bonjour, LLDP, SRTP (TCP, UDP Unicast)
Security	HTTPS(SSL) Login Authentication Digest Login Authentication IP Address Filtering User access log 802.1X Authentication(EAP-TLS, EAP-LEAP) Device Certificate(Hanwha Techwin Root CA) CyberSecurity assurance program UL CAP (UL 2900-1)
Application Programming Interface	ONVIF Profile S/G/T SUNAPI(HTTP API) Wisenet open platform
<b>General</b>	
Webpage Language	English, Korean, Chinese, French, Italian, Spanish, German, Japanese, Russian, Swedish,, Portuguese, Czech, Polish, Turkish, Dutch, Hungarian, Greek
Edge Storage	Micro SD/SDHC/SDXC 2slot 1TB(512GBx2)
Memory	4GB RAM, 512MB Flash
<b>Environmental &amp; Electrical</b>	
Operating Temperature / Humidity	-25°C ~ +60°C (-13°F ~ +140°F) / Less than 95% RH (non condensing)

<b>Storage Temperature / Humidity</b>	-50°C ~ +60°C(-58°F ~ +140°F) / Less than 90% RH
<b>Certification</b>	IP52, IK10
<b>Input Voltage</b>	PoE(IEEE802.3af), 12VDC
<b>Power Consumption</b>	PoE : Max 12.95W, typical 10.7W 12VDC : Max 11.5W, typical 9.0W Power redundancy failover

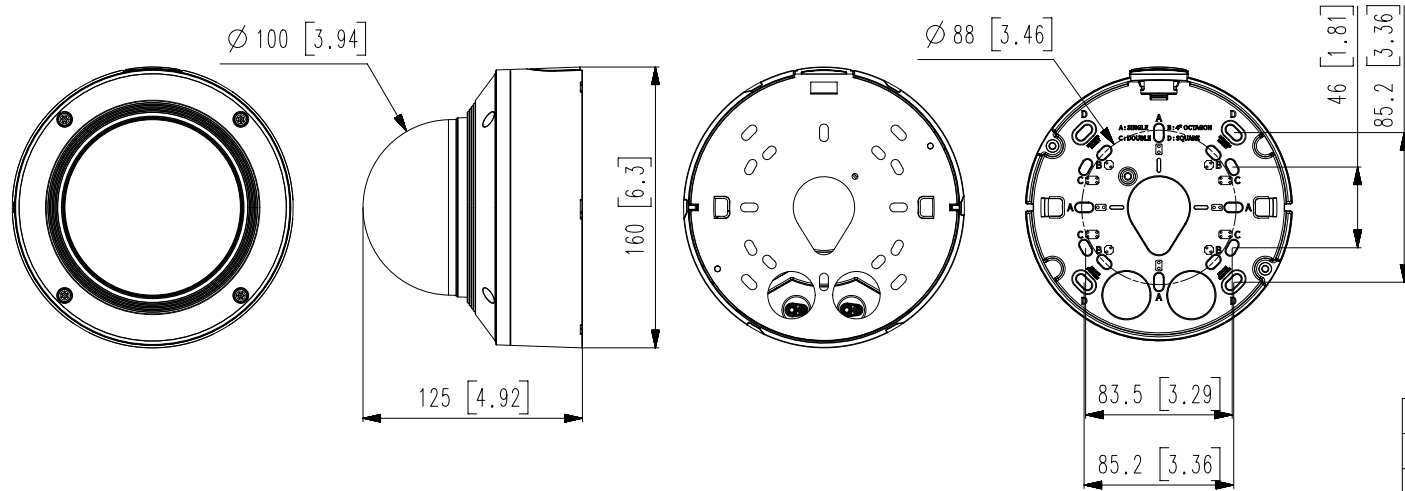
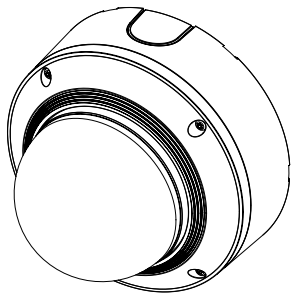
### Mechanical

<b>Color / Material</b>	White / Aluminum, Hard-coated dome bubble
<b>RAL Code</b>	RAL9003
<b>Product Dimensions / Weight</b>	Ø160x125mm(6.30x4.92"), 1.6kg(3.53 lb)

### DORI (EN62676-4 standard)

<b>Detect (25PPM/ 8PPF)</b>	Wide: 49.9m(163.71ft) / Tele: 209.9m(688.65ft)
<b>Observe (63PPM/ 19PPF)</b>	Wide: 19.9m(65.29ft) / Tele: 83.9m(275.26ft)
<b>Recognize (125PPM/ 38PPF)</b>	Wide: 10.0m(32.80ft) / Tele: 42.0m(137.80ft)
<b>Identify (250PPM/ 76PPF)</b>	Wide: 5.0m(16.40ft) / Tele: 21.0m(68.90ft)

- The latest product information / specification can be found at [hanwha-security.com](http://hanwha-security.com)
- Design and specifications are subject to change without notice.
- Wisenet is the proprietary brand of Hanwha Techwin, formerly known as Samsung Techwin.



16		
15		
14		
13		
12		
11		
10	XND-9082RV	19.12.18
9	XND-8082RV	19.12.18
8	XND-8081REV	19.12.18
7	XND-6081REV	19.12.18
6	PND-A9081R	19.09.27
5	XND-8081RV	19.09.27
4	XND-6081RV	19.09.27
3	XND-6081V	19.09.27
2	XND-8081VZ	19.09.27
1	XND-6081VZ	19.09.27
No.	MODEL NAME	DATE
Unit:mm[inch]		SCALE:1/1
Hanwha Techwin		

© Hanwha Techwin Co.,Ltd. All rights reserved.