

XNP-6120H

2M H.265 NW 12x PTZ Camera



Key Features

- Max. 2Megapixel (1920 x 1080) resolution
- 16 : 9 Full HD (1080p) resolution support
- 5.2 ~ 62.4mm (12x) optical zoom, 32x digital zoom
- H.265, H.264, MJPEG codec support, Multiple streaming
- Day & Night (ICR), WDR (150dB), Intelligent video analytics
- SD/SDHC/SDXC memory slot (Max.512GB)
- IP66, IK10, Bi-directional audio support

Compatible Accessories (Optional)



Video	
Imaging Device	1/2.8" 2.16MP CMOS
Resolution	1920x1080, 1280x1024, 1280x960, 1280x720, 1024x768, 800x600, 800x448, 720x576, 720x480, 640x480, 640x360, 320x240
Max. Framerate	H.265/H.264: Max. 60fps at all resolutions Motion JPEG: Max. 30fps at all resolutions
Min. Illumination	Color: 0.05 Lux (1/30sec, F1.6, 50IRE) B/W: 0.005 Lux (1/30sec, F1.6, 50IRE) Color: 0.03 Lux (1/30sec, F1.6, 30IRE) B/W: 0.003 Lux (1/30sec, F1.6, 30IRE)
Video Out	CVBS: 1.0 Vp-p / 75Ω composite, 720x480(N), 720x576(P) for installation USB: Micro USB Type B, 1280x720 for installation
Lens	
Focal Length (Zoom Ratio)	5.2~62.4mm(12x) zoom
Max. Aperture Ratio	F1.6(Wide)~F3.0(Tele)
Angular Field of View	H: 54.58°(Wide) ~ 5.30°(Tele) / V: 32.19°(Wide) ~ 3.00°(Tele)
Min. Object Distance	Wide: 1.5m(4.92ft) / Tele: 2.0m(6.56ft)
Focus Control	Auto / Manual / One Shot AF
Lens Type	DC auto iris
Pan / Tilt / Rotate	
Pan Range	360° Endless
Pan Speed	Preset: 350°/sec, Manual: 0.024°/sec ~ 200°/sec
Tilt Range	190°(-5° ~ 185°)
Tilt Speed	Preset: 350°/sec, Manual: 0.024°/sec ~ 200°/sec
Sequence	Preset (300 ea), Swing, Group (6 ea), Trace, Tour (1 ea), Auto Run, Schedule
Preset Accuracy	±0.2°
Operational	
Camera Title	Displayed up to 85 characters
Day & Night	Auto(ICR)
Backlight Compensation	BLC, HLC, WDR
Wide Dynamic Range	150dB
Digital Noise Reduction	SSNR V
Digital Image Stabilization	Support(built-in gyro sensor)
Defog	Support
Motion Detection	8ea, polygonal
Privacy Masking	24ea, rectangular zones
Gain Control	Low / Middle / High
White Balance	ATW / AWC / Manual / Indoor / Outdoor
Electronic Shutter Speed	Minimum / Maximum / Anti flicker (2~1/12,000sec)
Video Rotation	Flip, Mirror

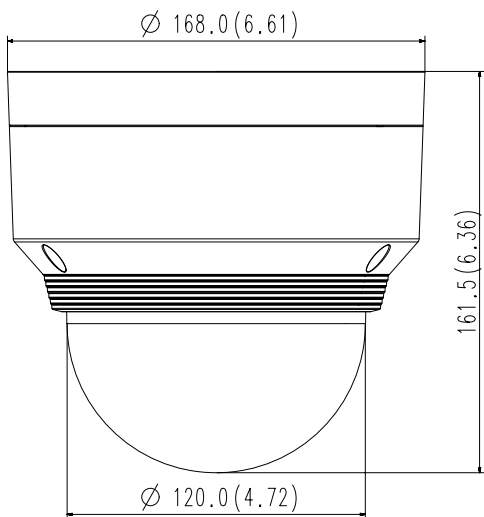
Analytics	Tampering, Loitering, Directional Detection, Virtual Line, Enter/Exit, Appear / Disappear, Audio Detection, Sound classification, Auto Tracking, Fog detection - with Metadata
Serial Interface	RS-485(Samsung-T, Pelco-D/P, Panasonic, Bosch, AD, GE, Vicon, Honeywell)
Alarm I/O	Input 1ea / Output 1ea
Alarm Triggers	Analytics, Network disconnect, Alarm input
Alarm Events	File upload via FTP and e-mail Notification via e-mail SD/SDHC/SDXC or NAS recording at event triggers Alarm output Preset
Audio In	Selectable(mic in/line in) Supply voltage: 2.5VDC(4mA), Input impedance: 2K Ohm
Audio Out	Line out, Max.output level: 1Vrms
Auto Tracking	Support
Coaxial Protocol	Support
Network	
Ethernet	RJ-45 (10/100BASE-T)
Video Compression	H.264 (MPEG-4 Part 10/AVC), H.265, Motion JPEG
Audio Compression	G.711 u-law /G.726 Selectable G.726(ADPCM) 8KHz, G.711 8KHz G.726: 16Kbps, 24Kbps, 32Kbps, 40Kbps AAC-LC: 48Kbps at 16KHz
Smart Codec	Manual(5ea area), WiseStream II
Bitrate Control	H.264/H.265: CBR or VBR MJPEG: VBR
Streaming	Multiple streaming(Up to 10 profiles)
Protocol	IPv4, IPv6, TCP/IP, UDP/IP, RTP(UDP), RTP(TCP), RTCP,RTSP, NTP, HTTP, HTTPS, SSL/TLS, DHCP, FTP, SMTP, ICMP, IGMP, SNMPv1/v2c/v3(MIB-2), ARP, DNS, DDNS, QoS, PIM-SM, UPnP, Bonjour
Security	HTTPS(SSL) Login Authentication Digest Login Authentication IP Address Filtering User access log 802.1X Authentication(EAP-TLS, EAP-LEAP)
Application Programming Interface	ONVIF Profile S/G SUNAPI 2.0(HTTP API) Wisenet open platform
General	
Web Viewer	Supported OS: Windows 7, 8.1, 10, Mac OS X 10.10, 10.11, 10.12 Recommended Browser: Google Chrome Supported Browser: MS Explore11, MS Edge, Mozilla Firefox(Window 64bit only), Apple Safari(Mac OS X only)
Edge Storage	Micro SD/SDHC/SDXC 2slot 512GB
Memory	1024MB RAM, 256MB Flash
Environmental & Electrical	

Operating Temperature / Humidity	-30°C ~ +55°C (-22°F ~ +131°F) / Less than 90% RH
Storage Temperature / Humidity	-30°C ~ +60°C (-22°F ~ +140°F) / Less than 90% RH
Certification	IP66, IK10
Input Voltage	12VDC, PoE
Power Consumption	Max 12W

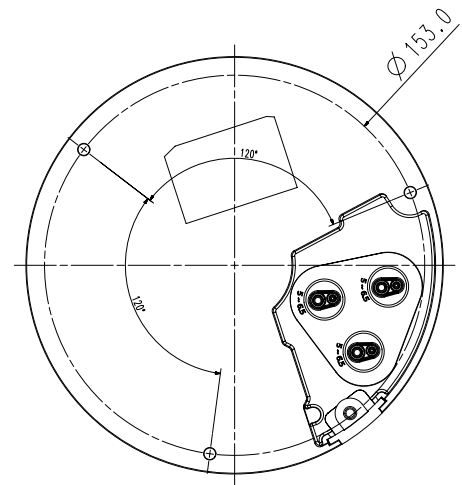
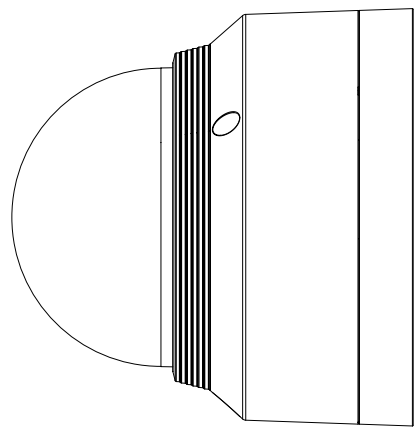
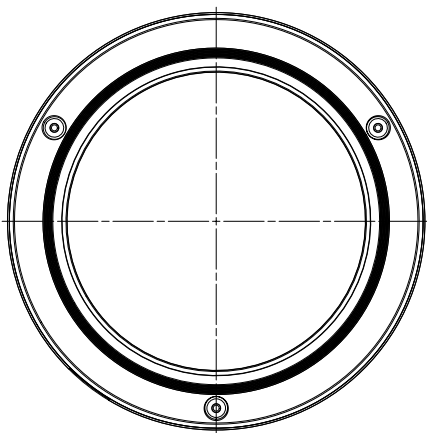
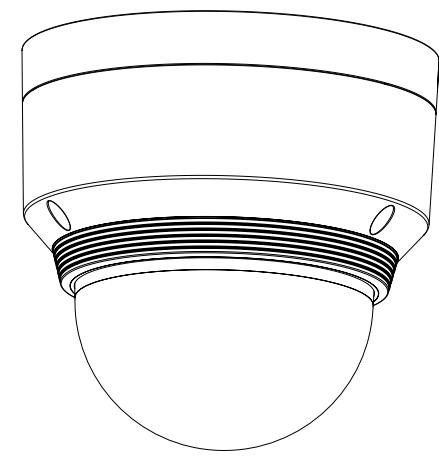
Mechanical

Color / Material	Ivory / Aluminum
Product Dimensions / Weight	Ø168 x 161.5mm(6.61 x 6.36"), 1.9kg(4.19 lb)

- The latest product information / specification can be found at hanwha-security.com
- Design and specifications are subject to change without notice.
- Wisenet is the proprietary brand of Hanwha Techwin, formerly known as Samsung Techwin.



XNP-6120H
Unit : mm(inch)



A1

Hanwha Techwin	MODEL NAME	XNP-6120
	CODE NO.	