

# XNP-6371RH

2M H.265 NW 37x IR PTZ Camera



## Key Features

- Max. 2megapixel (1920 x 1080) resolution
- 6~ 222mm (Optical 37x) lens
- 0.01Lux@F1.5 (Color), 0Lux (B/W, IR LED on)
- Max. IR viewable length : 350m (1,148ft)
- Day & Night (ICR), WDR (150dB)
- DIS & Shock detection with built-in gyro sensor
- Intelligent Video / Audio Analytics, Defog
- H.265, H.264, MJPEG codec support
- Multiple streaming, WiseStream II support
- SD / SDHC / SDXC memory 1 slot (Up to 256 GB)
- IP66, IK10

## Compatible Accessories (Optional)



SBP-303HF



SBP-300WM1



SBP-300WM



SBP-300PM



SBP-300CM



SBP-300LM



SBP-300KM



SBP-300NB



SBP-300B

Video	
Imaging Device	1/2" 2MP CMOS
Resolution	1920x1080, 1280x1024, 1280x960, 1280x720, 1024x768, 800x600, 800x448, 720x576, 720x480, 640x480, 640x360, 320x240
Max. Framerate	H.265/H.264: Max. 60fps/50fps(60Hz/50Hz) MJPEG: Max. 30fps/25fps(60Hz/50Hz)
Min. Illumination	Color: 0.01Lux(F1.5, 1/30sec) BW: 0Lux(IR LED)
Video Out	CVBS: 1.0 Vp-p / 75Ω composite, 720x480(N), 720x576(P) for installation
Lens	
Focal Length (Zoom Ratio)	6~222mm(37x) zoom
Max. Aperture Ratio	F1.5(Wide)~F4.6(Tele)
Angular Field of View	H: 59.3°(Wide)~1.9°(Tele) / V: 35.8°(Wide)~1.1°(Tele)
Min. Object Distance	1.5m(3.28ft)
Focus Control	Oneshot AF
Lens Type	DC auto iris
Pan / Tilt / Rotate	
Pan Range	360° Endless
Pan Speed	Preset: 400°/sec, Manual: 0.024°/sec ~ 250°/sec
Tilt Range	190°(-5°~185°)
Tilt Speed	Preset: 300°/sec, Manual: 0.024°/sec ~ 250°/sec
Sequence	Preset(300ea), Swing, Group(6ea), Trace, Tour, Auto Run, Schedule
Preset Accuracy	±0.2°
Operational	
Camera Title	Displayed up to 85 characters
Day & Night	Auto(ICR)
Backlight Compensation	BLC, HLC, WDR, SDR
Wide Dynamic Range	150dB
Digital Noise Reduction	SSNR V
Digital Image Stabilization	Support(built-in gyro sensor)
Defog	Support
Motion Detection	8ea, rectangular zones
Privacy Masking	24ea, rectangular zones - Color: Grey/Green/Red/Blue/Black/White - Mosaic
Gain Control	Low / Middle / High
White Balance	ATW / AWC / Manual / Indoor / Outdoor
Electronic Shutter Speed	Minimum / Maximum / Anti flicker (2~1/12,000sec)
Video Rotation	Flip, Mirror

<b>Analytics</b>	Defocus detection, Directional detection, Fog detection, Face detection, Motion detection, Digital auto tracking, Appear/Disappear, Enter/Exit, Loitering, Tampering, Virtual line, Audio detection, Sound classification, Shock detection
<b>Serial Interface</b>	RS-485(Samsung-T, Pelco-D/P, Panasonic, Bosch, AD, GE, Vicon, Honeywell)
<b>Alarm I/O</b>	Input 4ea / Output 2ea
<b>Alarm Triggers</b>	Analytics, Network disconnect, Alarm input
<b>Alarm Events</b>	File upload via FTP and e-mail Notification via e-mail SD/SDHC/SDXC or NAS recording at event triggers Alarm output PTZ Preset
<b>Audio In</b>	Selectable(mic in/line in) Supply voltage: 2.5VDC(4mA), Input impedance: 2K Ohm
<b>Audio Out</b>	Line out, Max.output level: 1Vrms
<b>IR Viewable Length</b>	350m(1,148.29ft)
<b>Auto Tracking</b>	Support
<b>Network</b>	
<b>Ethernet</b>	RJ-45(10/100BASE-T), SFP(Optional)
<b>Video Compression</b>	H.265/H.264: Main/Baseline/High, MJPEG
<b>Audio Compression</b>	G.711 u-law /G.726 Selectable G.726(ADPCM) 8KHz, G.711 8KHz G.726: 16Kbps, 24Kbps, 32Kbps, 40Kbps AAC-LC: 48Kbps at 16KHz
<b>Smart Codec</b>	Manual(5ea area), WiseStream II
<b>Bitrate Control</b>	H.264/H.265: CBR or VBR MJPEG: VBR
<b>Streaming</b>	Unicast(20 users) / Multicast Multiple streaming (Up to 10 profiles)
<b>Protocol</b>	IPv4, IPv6, TCP/IP, UDP/IP, RTP(UDP), RTP(TCP), RTCP,RTSP, NTP, HTTP, HTTPS, SSL/TLS, DHCP, FTP, SMTP, ICMP, IGMP, SNMPv1/v2c/v3(MIB-2), ARP, DNS, DDNS, QoS, PIM-SM, UPnP, Bonjour, SRTP, LLDP
<b>Security</b>	HTTPS(SSL) Login Authentication Digest Login Authentication IP Address Filtering User access log 802.1X Authentication(EAP-TLS, EAP-LEAP)
<b>Application Programming Interface</b>	ONVIF Profile S/G/T SUNAPI(HTTP API) Wisenet open platform
<b>General</b>	
<b>Webpage Language</b>	English, Korean, Chinese, French, Italian, Spanish, German, Japanese, Russian, Swedish,, Portuguese, Czech, Polish, Turkish, Dutch, Hungarian, Greek
<b>Web Viewer</b>	Support OS: Windows 7, 8.1, 10, Mac OS X 10.10, 10.11, 10.12 Recommended browser : Google Chrome Supported browser: MS Explore11, MS Edge, Mozilla Firefox(Window 64bit only), Apple Safari (Mac OS X only)
<b>Edge Storage</b>	SD/SDHC/SDXC 1slot 256GB
<b>Memory</b>	1024MB RAM, 256MB Flash

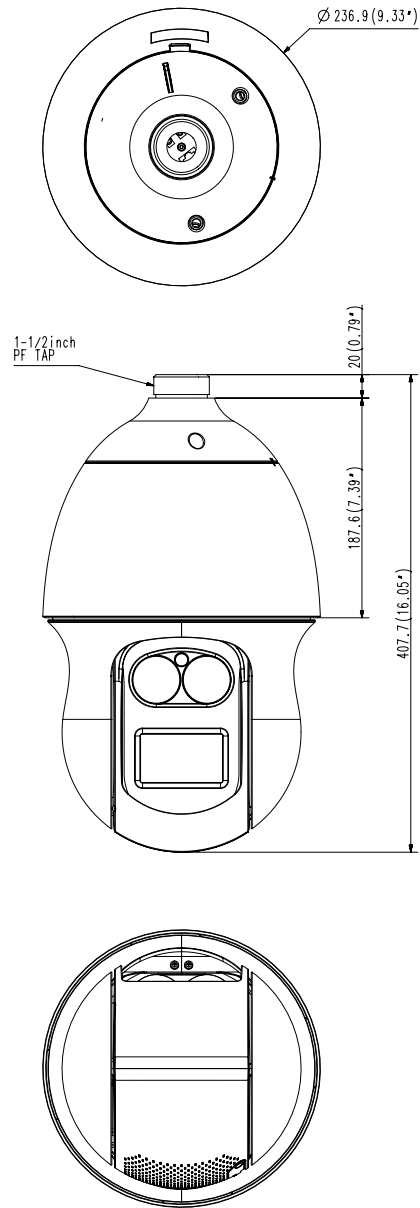
**Environmental & Electrical**

<b>Operating Temperature / Humidity</b>	-50°C~+55°C (-122°F~+131°F) / Less than 90% RH
<b>Storage Temperature / Humidity</b>	-50°C~+60°C (-122°F~+140°F) / Less than 90% RH
<b>Certification</b>	IP66, IK10
<b>Input Voltage</b>	24VAC
<b>Power Consumption</b>	24VAC: Max 90W

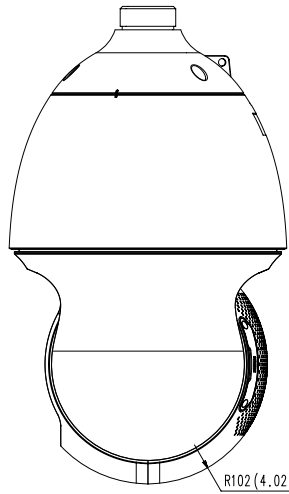
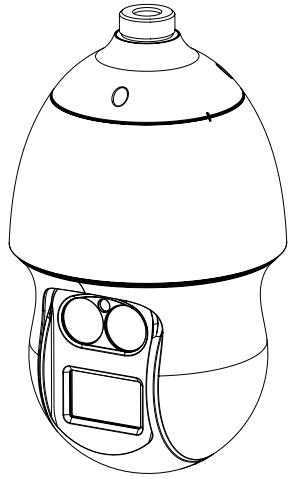
**Mechanical**

<b>Color / Material</b>	Body: Ivory / Plastic, Head: Black / Plastic
<b>Product Dimensions / Weight</b>	Ø236.9x407.7mm(9.33x16.05"), 7.1Kg(15.65 lb)

- The latest product information / specification can be found at [hanwha-security.com](http://hanwha-security.com)
- Design and specifications are subject to change without notice.
- Wisenet is the proprietary brand of Hanwha Techwin, formerly known as Samsung Techwin.

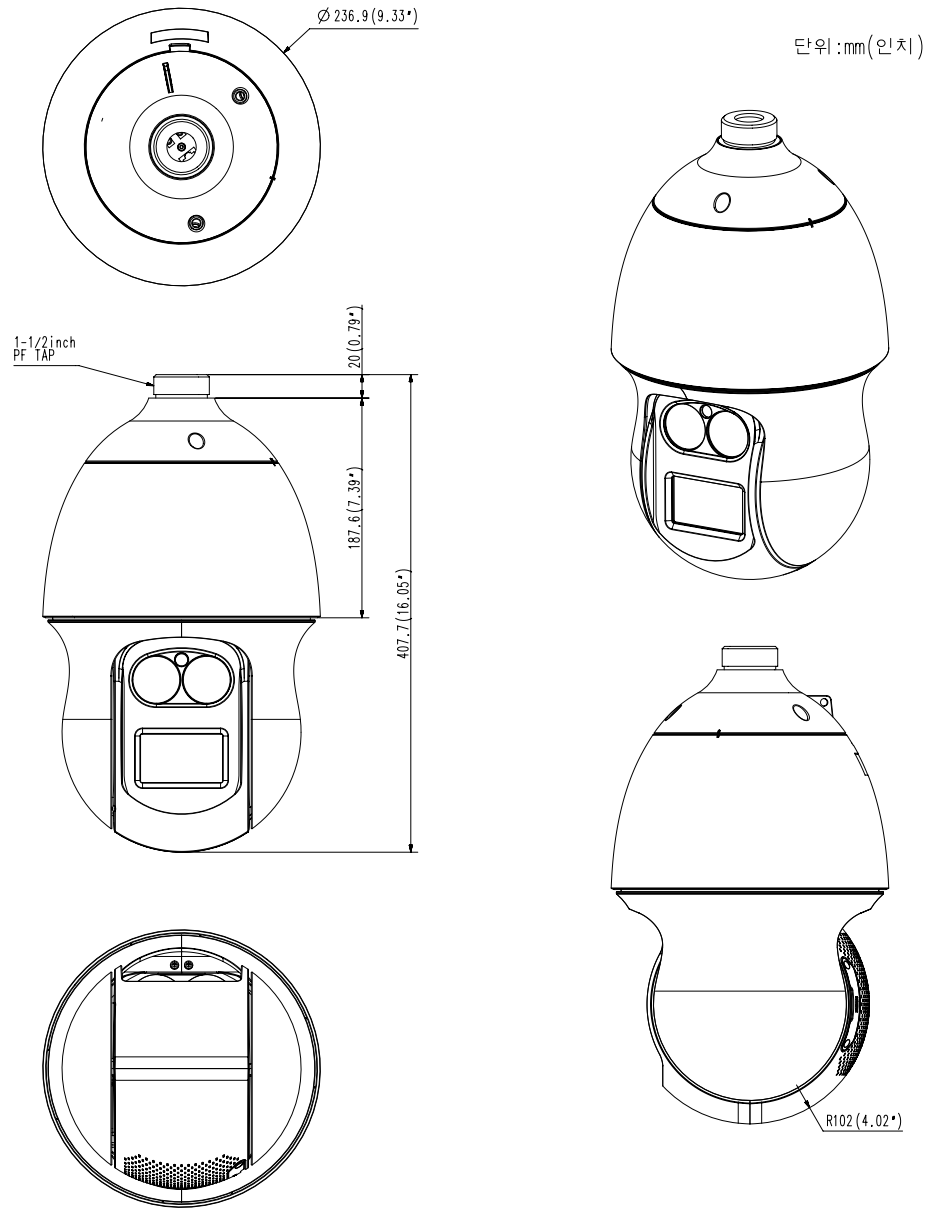


단위 :mm(인치)



This parts should not contain any substances which are specified in AH60-0033K

NO	PART NAME	CODE NO.	MATERIAL	Q'TY	REMARK
1	PNP-9200RH_Camera_Total_Assy	-	MATERIAL	1	REMARK



STANDARD TOLERANCE

DIV	M1	M2	M3	M4	M5
0-16	+0.05	+0.1	+0.1	+0.2	+0.3
16-63	+0.05	+0.1	+0.2	+0.3	+0.4
63-250	+0.1	+0.2	+0.3	+0.4	+0.4
250-1000	+0.2	+0.3	+0.4	+0.5	+0.6

A2  
CHANGE

UNIT	mm	DESIGN	CHECK	APPROVAL	PART NAME	PNP-9200RH_Camera_Total_Assy
SCALE	1/1	Design	Check	Approval	MODEL NAME	PNP-9200RH
		15.08.01	15.08.01	15.08.01	CODE NO.	-

