

iDS-7204HUHI-M1/X 4-ch 5 MP 1U H.265 AcuSense DVR

Key Feature

- 4 channels and 1 HDD 1U AcuSense DVR
- Support 2-ch Facial Recognition or 4-ch advanced model Perimeter Protection based on Deep Learning algorithm
- Efficient H.265 pro+ compression technology
- Encoding ability up to 4K @ 8fps(1-ch); 3K/5MP @12fps
- Up to 8 network cameras can be connected
- 5 signals input adaptively (HDTV/AVD/CVI/CVBS/IP)
- Support All channels Motion Detection technology



Compression and Recording

- H.265 Pro+ can be enabled to improve encoding efficiency and reduce data storage costs
- Recording at up to 3K resolution

Storage and Playback

- 1 SATA interface (up to 10 TB capacity)
- Smart search for efficient playback

Smart Function

- Deep learning based human and vehicle targets classification of Motion Detection 2.0
- Deep learning based perimeter protection

Network & Ethernet Access

- Compatible with major Wi-Fi dongle products in the market
- Hik-Connect & DDNS (Dynamic Domain Name System) for easy network management

▪ Specification

Facial Recognition	
Face Picture Library	Up to 16 face picture libraries
Face Picture Comparison	Face picture comparison, face picture search; 2-ch face picture comparison alarm (HD analog camera)
Perimeter Protection	
Human/Vehicle Analysis	Up to 4-ch
Recording	
Video Compression	H.265 Pro+/H.265 Pro/H.265/H.264+/H.264
Encoding Resolution	Main stream: 8 MP@8 fps/5 MP@12 fps/4 MP@15 fps/3 MP@18 fps 1080p/720p/WD1/4CIF/VGA/CIF@25 fps (P)/30 fps (N) *: 8 MP@8 fps is only available for channel 1. Sub-stream: WD1/4CIF/CIF@25 fps (P)/30 fps (N)
Video Bitrate	32 Kbps to 10 Mbps
Dual-stream	Support main stream or sub stream
Stream Type	Video, Video & Audio
Audio Compression	G.711u
Audio Bitrate	64 Kbps
Video and Audio	
IP Video Input	2-ch (up to 6-ch) Up to 8 MP resolution IP enhanced mode on: 4-ch (up to 8-ch), each up to 4 Mbps Support H.265+/H.265/H.264+/H.264 IP cameras
Analog Video Input	4-ch BNC interface (1.0 Vp-p, 75 Ω), supporting coaxitron connection
HDMI Output	1-ch, 2K (2560 × 1440)/60Hz, 1920 × 1080/60Hz, 1280 × 1024/60Hz, 1280 × 720/60Hz HDMI/VGA simultaneous output

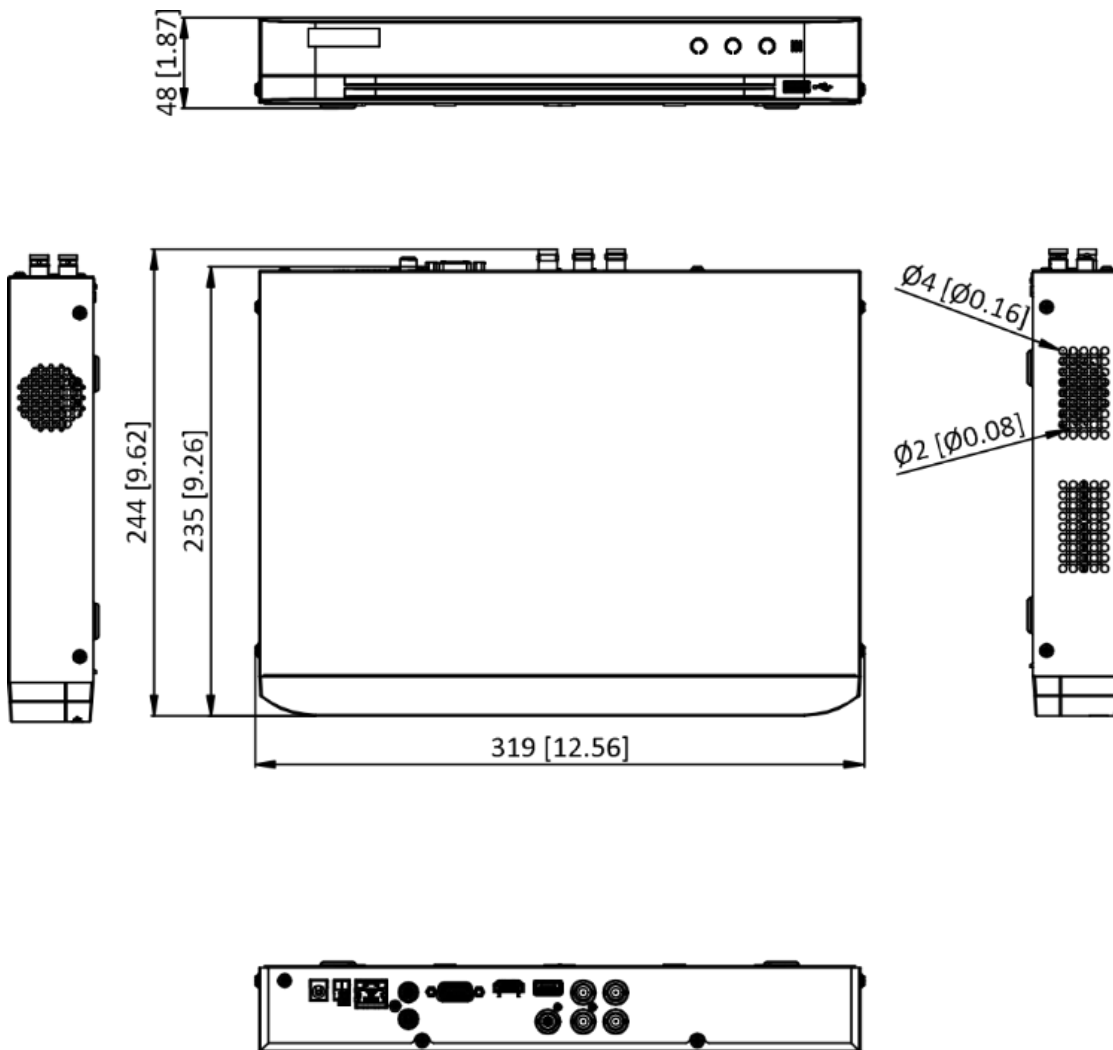
VGA Output	1-ch, 1920 × 1080/60Hz, 1280 × 1024/60Hz, 1280 × 720/60Hz HDMI/VGA simultaneous output
CVBS Input	PAL/NTSC
CVBS Output	1-ch, BNC (1.0 Vp-p, 75 Ω), resolution: PAL: 704 × 576, NTSC: 704 × 480
Synchronous Playback	4-ch
HDTVI Input	8 MP(3840 × 2160)@15 fps, 8 MP(3840 × 2160)@12 fps, 3K(2960 × 1665)@20 fps, 5 MP(2560 × 1944)@20 fps, 5 MP(2560 × 1944)@12 fps, 4 MP(2560 × 1440)@30 fps, 4 MP(2560 × 1440)@25 fps, 3 MP@18 fps, 1080p@30 fps, 1080p@25 fps, 720p@30 fps, 720p@25 fps
AHD Input	5 MP(2560 × 1944)@20 fps, 5 MP(2560 × 1944)@12 fps, 4 MP(2560 × 1440)@30 fps, 4 MP(2560 × 1440)@25 fps, 1080p@30 fps, 1080p@25 fps, 720p@30 fps, 720p@25 fps
HDCVI Input	8 MP(3840 × 2160)@15 fps, 8 MP(3840 × 2160)@12 fps, 5 MP(2592 × 1944)@20 fps, 4 MP(2560 × 1440)@30 fps, 4 MP(2560 × 1440)@25 fps, 1080p@30 fps, 1080p@25 fps, 720p@30 fps, 720p@25 fps
Audio Output	1-ch, RCA (Linear, 1 KΩ)
Audio Input	1-ch, RCA (2.0 Vp-p, 1 KΩ), 4-ch via coaxial cable
Two-Way Audio	1-ch, RCA (2.0 Vp-p, 1 KΩ) (using the first audio input)
Network	
Total Bandwidth	96 Mbps
Network Protocol	TCP/IP, PPPoE, DHCP, Hik-Connect, DNS, DDNS, NTP, SADP, NFS, iSCSI, UPnP™, HTTPS, ONVIF
Remote Connection	32
Network Interface	1, RJ45 10/100 Mbps self-adaptive Ethernet interface
Auxiliary Interface	
SATA	1 SATA interface
Capacity	up to 10 TB capacity for each disk
Serial Interface	RS-485 (half-duplex)
USB Interface	Front panel: 1 × USB 2.0; Rear panel: 1 × USB 2.0
Alarm In/Out	N/A
General	
Power Supply	12 VDC, 1.5 A
Consumption	≤ 10 W

Working Temperature	-10 °C to 55 °C (14 °F to 131 °F)
Working Humidity	10% to 90%
Dimension (W × D × H)	315 × 242 × 45 mm (12.4 × 9.5 × 1.8 inch)
Weight	≤ 1.16 kg (2.6 lb)

Note:

- 1: Face picture comparison, motion detection 2.0 and perimeter protection cannot be enabled at the same time. Enable one function will make the other two unavailable.
- 2: Enhanced IP mode might be conflicted with smart events (face picture comparison, motion detection 2.0 and perimeter protection) or other functions, please refer to the user manual for details.
- 3: The number of audio inputs and alarm in/out can be optional. The tag on the package will describe audio input and alarm in/out parameters. For example, "4A+8/4ALM" means your device has 4 audio inputs, 8 alarm inputs and 4 alarm outputs. If your device only has 1 audio input, the tag may not describe it.

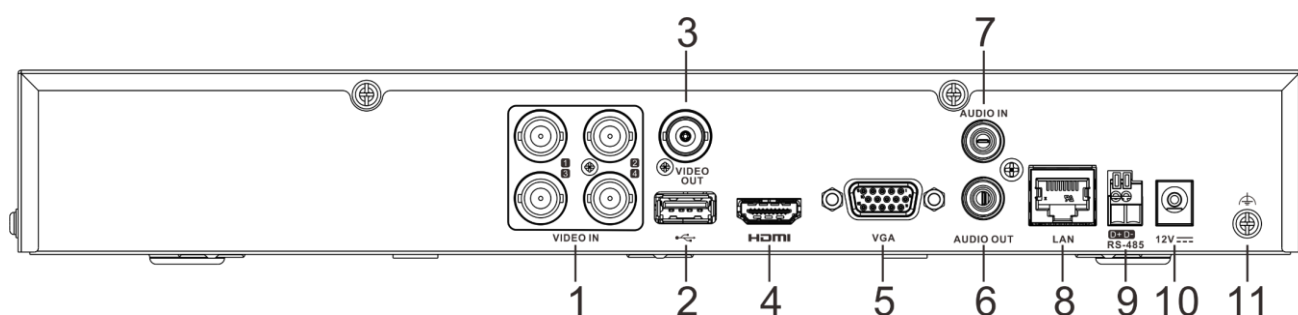
Dimension



Unit:mm [inch]

SCALE 1:1

Physical Interface



No.	Description	No.	Description
1	VIDEO IN	7	AUDIO IN, RCA connector
2	USB interface	8	LAN network interface
3	VIDEO OUT	9	RS-485 serial interface
4	HDMI interface	10	12 VDC power input
5	VGA interface	11	GND
6	AUDIO OUT, RCA connector		

Available Model

iDS-7204HUHI-M1/FA

Headquarters

No.555 Qianmo Road, Binjiang District,
Hangzhou 310051, China
T +86-571-8807-5998
www.hikvision.com



Follow us on social media to get the latest product and solution information.

