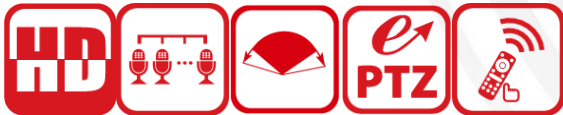


DS-UVC-X12 1080P ALL IN ONE Camera



- 2 MP (WDR) CMOS
- High quality imaging with 1920 × 1080 resolution
- Min. illumination: 0.1 Lux @ (F2.2, AGC ON)
- Clear imaging against strong backlight due to 120 dB true WDR technology
- AGC for self-adaptive brightness
- Low distortion lens for reducing image distortion
- Built-in 4-mic array microphones with clear sound
- Built-in a full-range, high definition speakers
- USB Type C interface, supporting USB 3.0 interface. Plug-and-play, no need to install driver software
- Built-in 2450 mAh lithium battery
- Compatible with leading online communication softwares

▪ Specification

Camera	
Image Sensor	1/2.7" 2 MP CMOS
Max. Resolution	1920 (H)×1080 (V)
Min. Illumination	0.1 Lux @ (F2.2, AGC ON)
Shutter Time	PAL: 1/25 s to 1/50,000 s, NTSC: 1/30 s to 1/50,000 s
Angle Adjustment	Tilt: -10° to 10°
Zoom	2 ×
Lens	
Lens Type	2.8 mm fixed focal lens
Focal Length & FOV	horizontal FOV 113°, vertical FOV 78°, diagonal FOV 120°
Depth of Field	0.3 m to ∞
Microphone	
Type	MEMS
Direction	360° Omni-directional
Pickup Distance	In a radius of up to 5 m
Amount	4
Frequency Response	100 Hz to 8 kHz
Sensitivity	-38 dBV/Pa
SNR	66 dB(A)
3A Algorithm	AEC, ANS, AGC
Sampling Rate	16 kHz
Speaker	
Rated Power	5 W
Maximum Output Loudness	87 dBSPL@1 m, 1 kHz
Speaker Range	In the radius up to 8 m
Effective Bandwidth (-10 dB)	170 Hz to 20 kHz
Total Harmonic Distortion (THD)	< 3%@1 kHz
Functions	
Image Function	Auto/Manual/Fixed White Balance, Backlight Compensation, Left/Right Flip / Up/Down Flip/Center Mirror
Power Indicator	Solid red: low power (≤15%) Solid orange: medium power (15% < x≤30%) Solid white: enough power (30% < x≤100%)
Audio Function	Supports smart noise reduction, echo suppression, anti-reverberation, squeal suppression to enhance speech quality and offer audio in high quality
LED Indicator	Solid Red: Mute Solid White: Working Normally No Light: Standby
Communication	
Communication Method	USB cable
Wired Communication Distance	2 m
Battery	
Capacity	7.2 V/2450 mAh

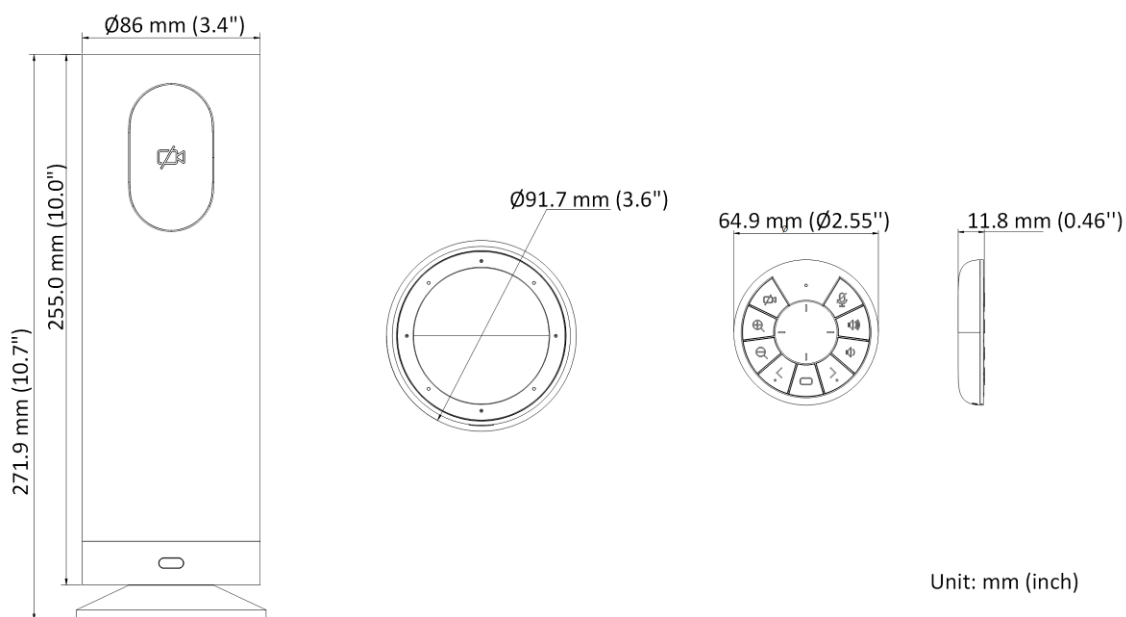
Charging Temperature	0 °C to 45 °C (32 °F to 113 °F)
Discharging Temperature	-20 °C to 60 °C (-4 °F to 140 °F)
Storage Temperature	0 °C to 35 °C (32 °F to 95 °F) for one year
Image	
Frame Rate	MJPG: 1920 × 1080@30 fps/25 fps 1280 × 960@30 fps/25 fps 1280 × 720@30 fps/25 fps 640 × 480@30 fps/25 fps 640 × 360@30 fps/25 fps YUV2: 1920 × 1080@5 fps 1280 × 960@5 fps 1280 × 720@10 fps 640 × 480@30 fps/25 fps 640 × 360@30 fps/25 fps H264: 1920 × 1080@30 fps/25 fps 1280 × 960@30 fps/25 fps 1280 × 720@30 fps/25 fps 640 × 480@30 fps/25 fps 640 × 360@30 fps/25 fps
Wide Dynamic Range (WDR)	≥120 dB
Interface	
Cable	Cable in package: Type C to Type A interface
Device Interface	USB Type C interface
Compatibility	
System Requirement	Recommended systems Windows 7/8/10/11 Android 8.1 and above version Linux 4.14 and above version macOS 10.12 and above version Chrome OS
General	
Power	5 VDC ± 5% (USB cable), max. 4.5 W
Material	Main body: Plastic with cloth Base: Metal
Operating Condition	-10 °C to 45 °C (14 °F to 113 °F). Humidity 90% or less (non-condensing)
Dimension	∅91.7 mm × 271.3 mm (∅3.61" × 10.68")
Package Dimension	337 mm × 150 mm × 156 mm (13.27" × 5.91" × 6.14")
Weight	Approx. 930 g (2.05 lb.)
With Package Weight	Approx. 1465 g (3.23 lb.)
Color	Silver gray

<p>Packing List</p>	<p>Camera × 1 Privacy Shutter × 1 Remote Control (with battery) × 1 USB 3.0 cable (2 m) × 1 User Manual Card × 1</p>
---------------------	--

▪ **Available Model**

DS-UVC-X12

▪ **Dimension**



Headquarters

No.555 Qianmo Road, Binjiang District,
Hangzhou 310051, China
T +86-571-8807-5998
www.hikvision.com



Follow us on social media to get the latest product and solution information.

