

## IDS-7204HQHI-M1/S TURBO ACUSENSE DVR

### Key Feature

- 4 channels and 1 HDD 1U AcuSense DVR
- False alarm reduction through human and vehicle target classification based on deep learning
- Efficient H.265 pro+ compression technology
- Encoding ability up to 1080p @ 15 fps
- 5 signals input adaptively (HDTVI/AHD/CVI/CVBS/IP)
- Up to 6 network cameras can be connected.



### Compression and Recording

- H.265 Pro+ video compression improves encoding efficiency, and reduces data storage costs
- Full channel recording at up to 1080p resolution

### Storage and Playback

- Smart search for efficient playback

### Smart Function

- Deep learning-based motion detection, and perimeter protection (line crossing and intrusion detection)
- Support multiple VCA (Video Content Analytics) events for both analog and smart IP cameras

### Network & Ethernet Access

- Compatible with major Wi-Fi dongle products in the market
- Hik-Connect & DDNS (Dynamic Domain Name System) for easy network management
- Output bandwidth limit configurable

## ▪ Specification

<b>Motion Detection 2.0</b>	
Human/Vehicle Analysis	<p>Deep learning-based motion detection 2.0 is enabled by default for all analog channels, it can classify human and vehicle, and extremely reduce false alarms caused by objects like leaves and lights;</p> <p>Quick search by object or event type is supported;</p>
<b>Perimeter Protection</b>	
Human/Vehicle Analysis	Up to 2-ch
<b>Facial Detection</b>	
Facial Detection and Capture	Face picture detection, face picture search
<b>Recording</b>	
Video Compression	H.265 Pro+/H.265 Pro/H.265/H.264+/H.264
Encoding Resolution	<p>When 1080p Lite mode is not enabled: 4 MP Lite/3 MP/1080p/720p/VGA/WD1/4CIF/CIF;</p> <p>When 1080p Lite mode is enabled: 4 MP Lite/1080p Lite/720p Lite/VGA/WD1/4CIF/CIF</p>
Frame Rate	<p>Main stream:</p> <p>When 1080p Lite mode not enabled:</p> <p>For 4 MP stream access: 4 MP lite@15 fps; 1080p lite/720p/WD1/4CIF/VGA/CIF@25 fps (P)/30 fps (N)</p> <p>For 3 MP stream access: 3 MP/1080p/720p/VGA/WD1/4CIF/CIF@15 fps</p> <p>For 1080p stream access: 1080p/720p@15 fps; VGA/WD1/4CIF/CIF@25 fps (P)/30 fps (N)</p> <p>For 720p stream access: 720p/VGA/WD1/4CIF/CIF@25 fps (P)/30 fps (N)</p> <p>When 1080p Lite mode enabled:</p> <p>4 MP lite/3 MP@15 fps; 1080p lite/720p lite/VGA/WD1/4CIF/CIF@25 fps (P)/30 fps (N)</p> <p>Sub-stream:</p> <p>WD1/4CIF@12 fps; CIF@25 fps (P)/30 fps (N)</p>
Video Bitrate	32 Kbps to 6 Mbps
Dual-stream	Support
Stream Type	Video, Video & Audio
Audio Compression	G.711u
Audio Bitrate	64 Kbps

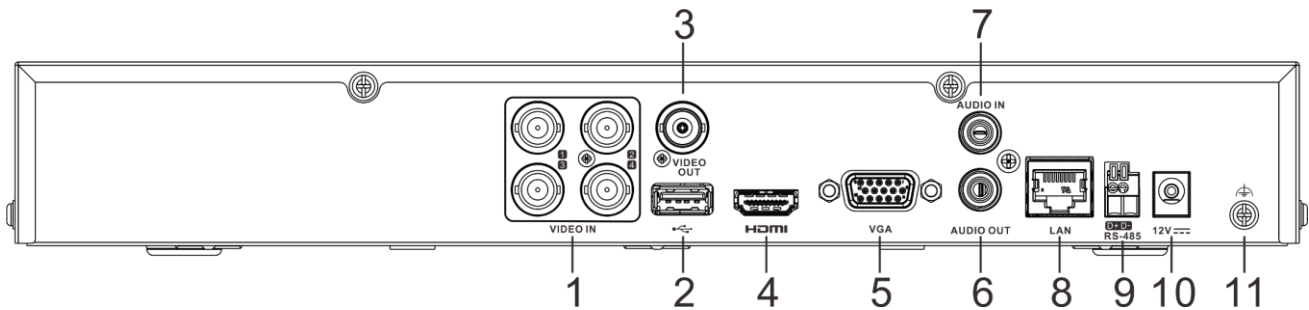
<b>Video and Audio</b>	
IP Video Input	1-ch (up to 5-ch) Up to 6 MP resolution Enhanced IP mode on: 2-ch (up to 6-ch), each up to 4 Mbps Support H.265+/H.265/H.264+/H.264 IP cameras
Analog Video Input	4-ch;BNC interface (1.0 Vp-p, 75 Ω), supporting coaxitron connection
HDMI Output	1-ch, 1920 × 1080/60Hz, 1280 × 1024/60Hz, 1280 × 720/60Hz, HDMI/VGA simultaneous output
CVBS Input	PAL/NTSC
CVBS Output	1-ch, BNC (1.0 Vp-p, 75 Ω), resolution: PAL: 704 × 576, NTSC: 704 × 480
Synchronous playback	4-ch
HDTV Input	4 MP, 3 MP, 1080p30, 1080p@25 fps, 720p@60 fps, 720p@50 fps, 720p@30 fps, 720p@25 fps *: The 3 MP signal input is only available for channel 1 of iDS-7204HQHI-M1/S, for channel 1/2 of iDS-7208HQHI-M1/S, and for channel 1/2/3/4 of iDS-7216HQHI-M1/S.
AHD Input	4 MP, 1080p@25 fps, 1080p@30 fps, 720p@25 fps, 720p@30 fps
VGA Output	1-ch, 1920 × 1080/60Hz, 1280 × 1024/60Hz, 1280 × 720/60Hz
HDCVI Input	4 MP, 1080p@25 fps, 1080p@30 fps, 720p@25 fps, 720p@30 fps
Audio Output	1-ch, RCA (Linear, 1 KΩ)
Audio Input	1-ch, RCA (2.0 Vp-p, 1 KΩ),4-ch via coaxial cable
Two-Way Audio	1-ch, RCA (2.0 Vp-p, 1 KΩ) (using the first audio input)
<b>Network</b>	
Total Bandwidth	72 Mbps
Network Protocol	TCP/IP, PPPoE, DHCP, Hik-Connect, DNS, DDNS, NTP, SADP, NFS, iSCSI, UPnP™, HTTPS, ONVIF
Remote Connection	32
Network Interface	1, RJ45 10M/100M self-adaptive Ethernet interface
<b>Auxiliary Interface</b>	
SATA	1 SATA interface
Capacity	Up to 10 TB capacity for each disk
Serial Interface	RS-485 (half-duplex)
USB Interface	2 × USB 2.0
Alarm In/Out	N/A

General	
Power Supply	12 VDC, 1.5A
Consumption	≤ 18 W
Working Temperature	-10 °C to +55 °C (+14 °F to +131 °F)
Working Humidity	10% to 90%
Dimension (W × D × H)	315 × 242 × 45 mm (12.4 × 9.5 × 1.8 inch)
Weight	≤ 1.16 kg (2.6 lb)

**Note:**

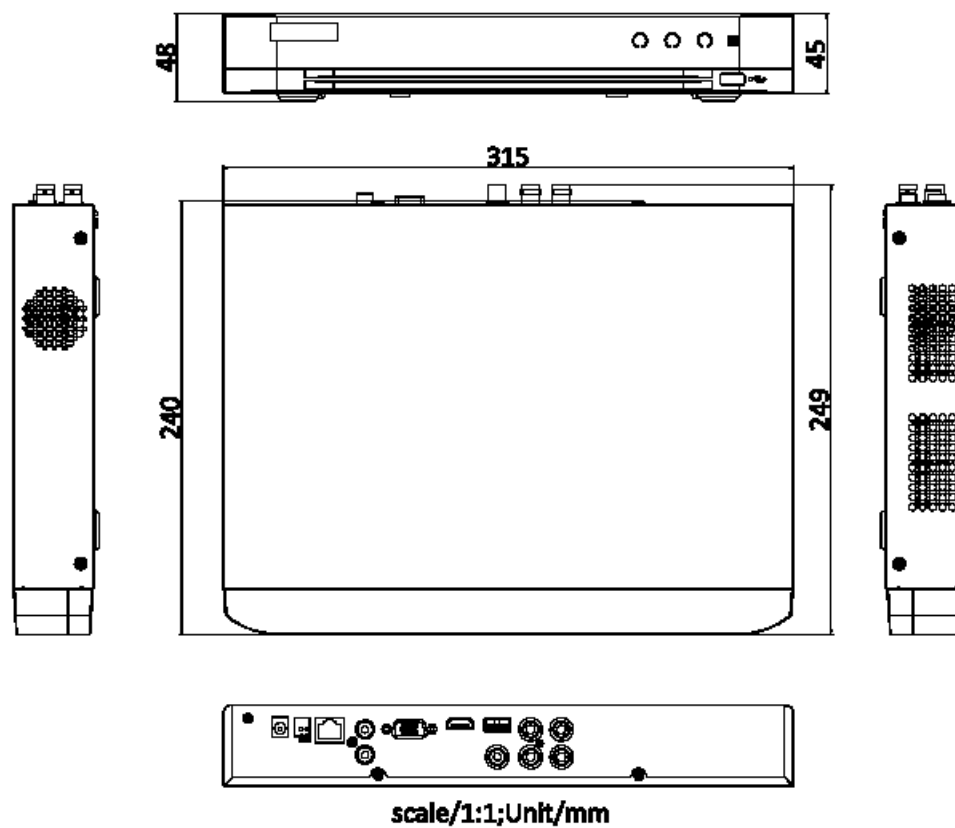
- 1: Motion detection 2.0 and perimeter protection cannot be enabled at the same time. Enable one function will make the other one unavailable.
- 2: Enhanced IP mode might be conflicted with smart events (motion detection 2.0 and perimeter protection) or other functions, please refer to the user manual for details.
- 3: The number of audio inputs and alarm in/out can be optional. The tag on the package will describe audio input and alarm in/out parameters. For example, "4A+8/4ALM" means your device has 4 audio inputs, 8 alarm inputs and 4 alarm outputs. If your device only has 1 audio input, the tag may not describe it.

## Physical Interface



No.	Description	No.	Description
1	VIDEO IN	7	AUDIO IN, RCA connector
2	USB interface	8	LAN network interface
3	VIDEO OUT	9	RS-485 serial interface
4	HDMI interface	10	12 VDC power input
5	VGA interface	11	GND
6	AUDIO OUT, RCA connector		

## Dimension



## Available Model

iDS-7204HQHI-M1/S

### Headquarters

No.555 Qianmo Road, Binjiang District,  
Hangzhou 310051, China  
T +86-571-8807-5998  
www.hikvision.com



Follow us on social media to get the latest product and solution information.



Hikvision



HikvisionHQ



HikvisionHQ



Hikvision\_Global



Hikvision  
Corporate Channel



hikvisionhq