

HCO-7010R/7020R/7030R

QHD (4MP) Analog IR Bullet Camera

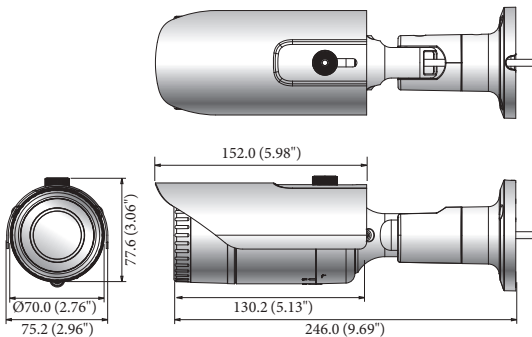


Key Features

- QHD (2560 x 1440, 30fps) resolution
- 0.26 Lux@F1.8 (Color) (HCO-7010R), 0.27 Lux@F2.0 (Color) (HCO-7020R/7030R), 0 Lux (B/W : IR LED on)
- Built-in 2.8mm fixed lens (HCO-7010R)
4.0mm fixed lens (HCO-7020R)
6.0mm fixed lens (HCO-7030R)
- Day & Night (ICR), DWDR, Motion detection
- IR Viewable Length 20m (HCO-7010R), 25m (HCO-7020R), 30m (HCO-7030R)
- Transmission distance max.500m
- Easy installation (Plug & play), IP66, IK10 support

Dimensions

Unit : mm (inch)



Accessories (Optional)



SBO-100B1



SBP-302PM

HCO-7010R/7020R/7030RN/P

VIDEO		
Imaging Device	1/3" 4M CMOS	
Total Pixels	2,720(H) x 1,536(V)	
Effective Pixels	2,688(H) x 1,520(V)	
Scanning System	Progressive Scan	
Min. Illumination	Color : 0.26 Lux (F1.8) (HCO-7010R), 0.27 Lux (F2.0) (HCO-7020R/7030R) B/W : 0 Lux (IR LED on)	
S / N Ratio	52dB (AGC off, Weight on)	
Video Output	BNC (AHD), Additional CVBS for installation (2Pin connector type)	
Resolution	2560 x 1440	
Max. Framerate	30fps@4M	25fps@4M
LENS TYPE		
Focal Length (Zoom Ratio)	2.8mm fixed (HCO-7010R), 4.0mm fixed (HCO-7020R), 6.0mm fixed (HCO-7030R)	
Max. Aperture Ratio	F1.8 (HCO-7010R), F2.0 (HCO-7020R/7030R)	
Angular Field of View	H : 107.48° / V : 59.67° / D : 122.01° (HCO-7010R) H : 78.22° / V : 41.21° / D : 87.91° (HCO-7020R) H : 49.01° / V : 27.61° / D : 55.6° (HCO-7030R)	
Min. Object Distance	0.5m (1.64ft)	
Lens Type	Fixed	
Mount Type	Board-in Type	
OPERATIONAL		
On Screen Display	Multi-language Support(14) English, Spanish, French, Portuguese, German, Italian, Russian, Polish, Czech, Romanian, Serbian, Swedish, Danish, Turkish	
Day & Night	Auto (ICR) / Color / B/W	
Backlight Compensation	Off / User BLC / HLC	
Wide Dynamic Range	D-WDR (Off / On)	
Digital Noise Reduction	2D DNR	
Motion detection	Off / On (4 zones)	
Privacy Masking	Off / On (2 zones rectangle)	
Gain Control	Off / Low / Middle / High / Very High	
White Balance	ATW / Outdoor / Indoor / Manual / AWC (1,800K° ~ 10,500K°)	
Electronic Shutter Speed	1/30sec ~ 1/12,000sec	1/25sec ~ 1/12,000sec
Reverse	Off / H-Rev / V-Rev	
Remote Control Interface	Coaxial	
Protocol	AHD : ACP (AHD Coax Protocol), CVBS : Pelco-C (Coaxitron)	
IR Distance	20m (65.62ft) : HCO-7010R, 25m (82.02ft) : HCO-7020R 30m (98.43ft) : HCO-7030R	
Video Transmission Distance	500m (5C2V Coaxial cable)	
ENVIRONMENTAL		
Operating Temperature / Humidity	-30°C ~ +55°C (-22°F ~ +131°F) / Less than 90% RH * Start up should be done at above -10°C (+14°F)	
Ingress Protection	IP66	
Vandal Resistance	IK10	
ELECTRICAL		
Input Voltage	12V DC ±10%	
Power Consumption	Max. 5.0W	
MECHANICAL		
Color / Material	Dark Gray / Aluminum	
Dimensions (WxH)	Ø70.0 x 246.0 mm (Ø2.76" x 9.69") (Without sunshield)	
Weight	670g (1.48 lb)	

* The latest product information / specification can be found at hanwha-security.com
* Design and specifications are subject to change without notice.