

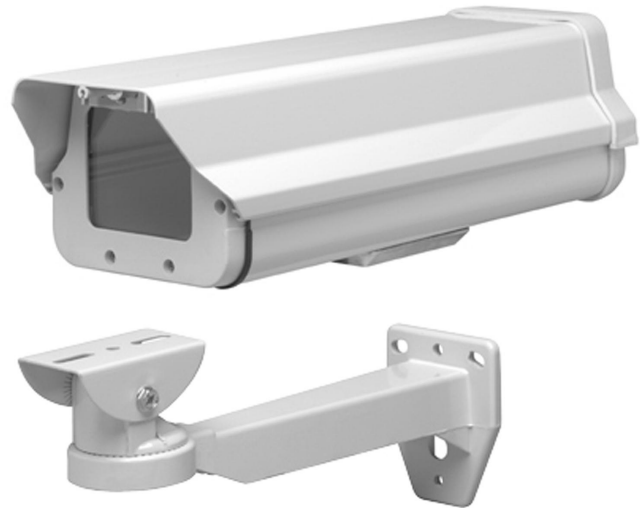
# Camera Enclosure



Weatherproof outdoor housing with mounting bracket

## Key Features

- Forward opening hinged lid
- Aluminum Construction
- Designed for Indoor / Outdoor applications
- Easy access for service & installation
- Mounting place for outdoor bracket
- Beige color
- Works with CCTV and IP security cameras

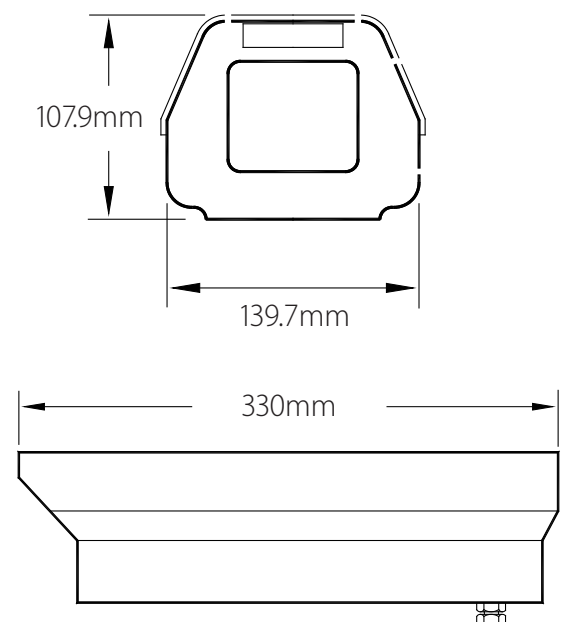


## Overview

Designed to be used with box style cameras. The housing is compatible with both Analog (CCTV) and IP box style cameras. For use in environments with ultra high or low temperatures.

Protect your CCTV camera from vandalism and tampering. The sun shield can reduce internal temperature by 4°F (2°C). The Universal multiple hole patterns basket allows use with various camera mounts. Can be easily modified for additional pole mounting applications.

## Dimensions



Design and specifications are subject to change without prior notice.