

# Panasonic

PM-VT2ULVC-W

## 2MP Varifocal Turret Colour Camera

Panasonic Cameras are developed to deliver high-performance security solutions, safeguarding homes, shops, and offices with advanced technology and reliable surveillance. Featuring a combination of infrared (IR) and white LED lighting, these cameras are capable of capturing full-colour images even in low-light conditions, ensuring clear and detailed footage around the clock. Integrated with intelligent analytics, the cameras can automatically detect and respond to specific security events such as line crossing, abandoned or missing objects, and more.



  **NDA**  
COMPLIANT **H.265+** **H.264**  
**H.265** **JPEG**  **SECURE** **IP67**  
SSL ENCRYPTION

### Key Features

- 2MP Varifocal turret full colour camera
- 120dB Wide Dynamic Range
- Color Night Vision: 0.006 lux @F1.6, AGC ON
- 30~50m IR night view distance
- 30~40m white light view distance
- IP67 protection from dust and water
- Advanced encryption and access control
- NDA

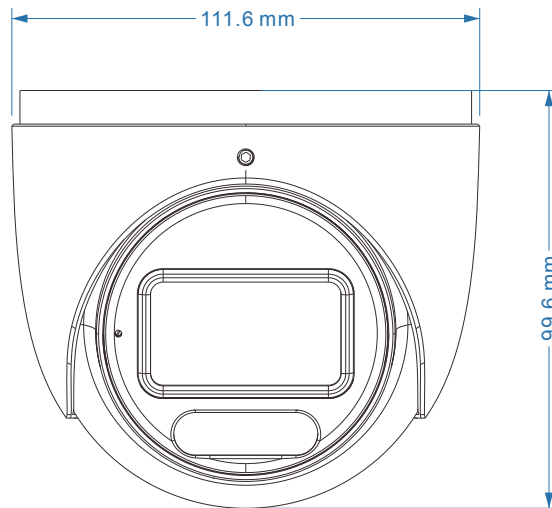
# Specifications

CAMERA	
Type	2MP Varifocal Turret Full Colour Camera
Image Sensor	1/2.8" CMOS
Max Resolution	2MP (1920x1080)
Electronic Shutter	1/3s-1/100000 s
Min. Illumination	0.006 lux @F1.6, AGC ON
IR Distance / Light Range	30-50m IR night view distance 30-40m white light view distance
LENS	
Focal Length	2.8mm@F1.4
Focus	Fixed
Iris Type	Fixed Iris
Optical Zoom	
Angular Field of View	H.FoV: 98°-33° V.FoV: 52°-20° D.FoV: 120°-40°
Day&Night	ICR
IMAGE	
Video Compression	Mainstream: H.265+/H.265/H.264+/H.264 Sub/third stream: H.265+/H.265/H.264+/H.264/MJPEG
Resolution	1080P (1920x1080) 720P (1280x720) D1(704x480) VGA(640x480) 480x240 CIF(352x288)
Number of Supported Stream	3
Mainstream	60Hz: 1080P/720P (1-30fps) 50Hz: 1080P/720P (1-25fps)
Sub Stream	60Hz: D1/VGA/CIF (1-30fps) 50Hz: D1/VGA/CIF (1-25fps)
Third Stream	60Hz: D1/480x240/CIF (1-30fps) 50Hz: D1/480x240/CIF (1-25fps)
Bit Rate	64Kbps-6Mbps
Bit Rate Type	VBR/CBR
Image Settings	ROI Saturation Brightness Hue Contrast Wide Dynamic Sharpness Image Mirror Image Flip NR etc. adjustable through client software or web browser
Audio Compression	G711A/U
Region Of Interest	Each ROI to be configured separately
OPERATIONAL	
Wide Dynamic Range	120dB
Back Light Compensation (BLC)	Yes
High Light Compensation (HLC)	Yes
Defog	-
Digital Noise Reduction (DNR)	≥50dB
S/N ratio	≥50dB
Angle Adjustment	Pan: 0°-360° Tilt: 0°-80° Rotation: 0°-360°
INTERFACES	
Network	RJ 45 10M/100M self-adaptive Ethernet port
Video	-
Audio	1CH audio input 1CH built-in MIC
Storage	Built-in micro SD card slot, up to 256GB
Alarm	-
DORI DISTANCE	
Lens	2.8-12mm(W) 2.8-12mm(T)
Detect	44m(144ft) 123m(402ft)

# Specifications

Observe	18m(58ft) 49m(160ft)
Recognize	9m(28ft) 25m(80ft)
Identify	4m(14ft) 12m(39ft)
<b>OTHER ANALYTICS</b>	
Motion Detection	-
Smart Alarm	Motion detection SMD SD card full, SD card error IP address conflict Cable disconnection Video exception (scene change, video blur and abnormal color detection)
Smart Event	Line Crossing Region Intrusion Detection (Human/Motor Vehicle/Non-Motor Vehicle Classification) Abandoned/Missing Object Detection
<b>FUNCTIONS</b>	
Remote Monitoring	Web browser NVR Panasonic VMS 2.X Mobile APP
Web Browser	Chrome 89.0+ Edge 89.0+ Firefox 87.0+ Safari 14.0+
Online Connection	Support simultaneous monitoring for up to 6 users Support multi-stream real time transmission
Network Protocol	UDP, IPv4, IPv6, DHCP, NTP, RTSP, RTP, RTCP, RTMP, PPPoE DDNS, SMTP, FTP, 802.1x, SNMP, UPnP, HTTP, HTTPS HTTP POST, P2P, QoS
Interface Protocol	ONVIF Profile S/G/M/T
Other Function	Watermark IP address filtering Video mask Heartbeat Smart supplement light Corridor pattern ANR Cloud upgrade
Security	Video encryption Firmware encryption HTTPS encryption Configuration encryption Illegal login lock IP address filtering 802.1x authentication Basic and digest authentication for HTTP/RTSP NDAA
<b>GENERAL</b>	
Power Supply	DC12V/PoE
PoE	Yes, IEEE802.3af
Power Consumption	< 8.8W
Weather Protection	IP67 protection from dust and water
Operating Environment	-30°C~60°C (-22°F~140°F) Humidity: less than 95% (non-condensing)
Storage Environment	-30°C~65°C (-22°F~149°F) Humidity: less than 95% (non-condensing)
Dimensions (mm)	Ø111.6×99.6
Weight (net)	Approx. 0.66KG
Installation	Ceiling mounting Wall mounting
Certificate	EMC: EN 55032:2015+A11:2020 EN 55035:2017+A11:2020 Safety: EN IEC 62368-1:2020+A11:2020 RoHS: 2011/65/EU

## Appearance

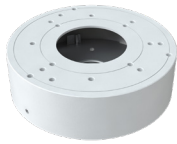


## Optional Accesories

### Mount Bracket



**PM-YH0302-W**  
Junction box aluminium, Base part



**PM-YH0106-W**  
Junction box aluminium, Base part



**PM-YZJ0203-W**  
Wall Mount Bracket



**PM-YH0302-W+**  
**PM-YZJ0407-W+**  
**PM-YZJ0501-W**  
Pole Mount Bracket



**PM-YH0302-W+**  
**PM-YZJ0407-W+**  
**PM-YZJ0601-W**  
Corner Mount Bracket



**PM-YH0302-W+**  
**PM-YZJ0811-W**  
Ceiling Mount Bracket

### Disclaimer:

Panasonic accepts no responsibility or liability for the performance of the network, nor for any third-party products used in conjunction with this system. Product dimensions and masses are approximate. Specifications are subject to change without notice.