



SAMSUNG

# Palm-sized Compact IR Dome Illuminating the darkness



## Small IR Dome Camera

# SCD-1020R

The SCD-1020R is a cost effective mini IR dome camera, which provides 520 TV Lines high-resolution images. Its built-in high-performance LED illuminators provide the ability to capture clear images of objects up to 10m from the camera, even in total darkness. Packed with the essential technology required for security monitoring, the SCD-1020R will be ideal for small applications.

- High resolution of 520 TV lines
- Min. illumination 0Lux (IR LED on), IR distance 10m
- Built-in fixed lens (3.6mm)
- 12VDC

# Small IR Dome Camera

## SCD-1020R

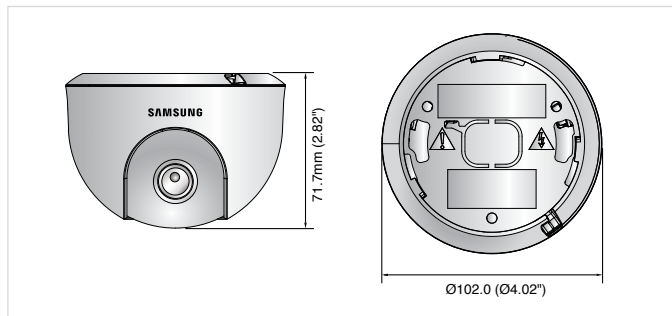


### Specifications

	SCD-1020RN	SCD-1020RP
<b>VIDEO</b>		
Imaging Device	1/4" CMOS	
Total Pixels	680(H) x 512(V)	
Effective Pixels	640(H) x 480(V)	
Scanning System	2 : 1 Interlace	
Synchronization	Internal	
Frequency	H : 15.734KHz / V : 59.94Hz	H : 15.625KHz / V : 50Hz
Horizontal Resolution	Color : 520TV lines	
Min. Illumination	0Lux (IR LED on)	
S / N Ratio	46dB (AGC off, Weight on)	
Video Output	CVBS : 1.0 Vp-p / 75Ω composite	
<b>LENS</b>		
Focal Length (Zoom Ratio)	3.6mm	
Max. Aperture Ratio	F2.0	
Angular Field of View	H : 56° / V : 42°	
Min. Object Distance	0.2m (0.66ft)	
Lens Type	Fixed	
Mount Type	Board type	
<b>PAN / TILT</b>		
Pan Range	0° ~ 355°	
Tilt Range	0° ~ 60°	
<b>OPERATIONAL</b>		
Day & Night	Soft (D/N) Auto	
Digital Noise Reduction	Auto	
Gain Control	Auto	
White Balance	Auto (3200°K ~ 6500°K)	
Shutter Mode	Auto (Rolling Shutter)	
IR Distance	10m (IR LED 12ea)	
<b>ENVIRONMENTAL</b>		
Operating Temperature / Humidity	0°C ~ +40°C (+32°F ~ +104°F) / 20% ~ 85% RH	
<b>ELECTRICAL</b>		
Input Voltage / Current	12V DC	
Power Consumption	Max. 2.2W	
<b>MECHANICAL</b>		
Color / Material	Ivory / Plastic (Dome cover : clear)	
Dimensions (WxH)	Ø102.0 x 71.7mm (Ø4.02" x 2.82")	
Weight	160g (0.35 lb)	

### Dimensions

Unit : mm (inch)



The Eco mark represents Samsung Techwin's will to create environment-friendly products, and indicates that the product satisfies the EU RoHS Directive.

Design and specifications are subject to change without notice.



#### SAMSUNG TECHWIN CO., LTD.

701, Sampyeong-dong, Bundang-gu, Seongnam-si, Gyeonggi-do Korea 463-400  
Tel : +82-70-7147-8741~8749, 8752-8760 Fax : +82-31-8018-3745  
www.samsungsecurity.com www.samsungcctv.com

#### SAMSUNG TECHWIN AMERICA INC.

100 Challenger Rd. Suite 700 Ridgefield Park, NJ 07660  
Toll Free : +1-877-213-1222 Direct : +1-201-325-6920  
Fax : +1-201-373-0124  
www.samsungcctvusa.com

#### SAMSUNG TECHWIN EUROPE LTD.

Samsung House, 1000 Hillswood Drive, Hillswood Business Park  
Chertsey, Surrey, UNITED KINGDOM KT16 0PS  
Tel : +44-1932-45-5300 Fax : +44-1932-45-5325

#### TIANJIN SAMSUNG TECHWIN OPTO-ELECTRONICS CO., LTD.

No.11 Wei 6 Street, Micro-Electronic Industrial Park  
Jingang Road, Tianjin, P.R. CHINA 300385  
Tel : +86-22-23887788 Fax : +86-22-23887788

■ DISTRIBUTED BY

