

SNO-5084R

1.3M HD Network IR Bullet Camera

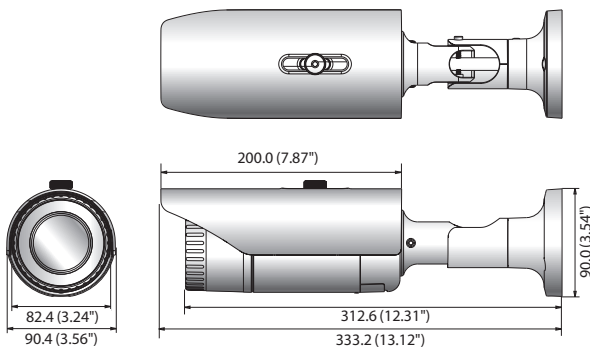


Key Features

- Max. 1.3megapixel (1280 x 1024) resolution
- 60fps@all resolutions
- 0.005Lux@F1.2 (Color), 0Lux@F1.2 (B/W : IR LED on)
- 3 ~ 8.5mm (2.8x) motorized varifocal lens
- H.264, MJPEG dual codec, Multiple streaming
- Day & Night (ICR), WDR (130dB)
- Simple focus (Motorized V/F), P-Iris, DIS, Defog
- Multi-crop streaming
- micro SD/SDHC/SDXC memory slot (4GB included)
- IR LED (20ea), IP66, IK10, Bi-directional audio support

Dimensions

Unit : mm (inch)



* Data recorded on an SD memory card may be lost or damaged by data access during power-off, mechanical shock, memory card detachment, or other operations. Data loss or damage can also occur when a memory card reaches end of life, which varies according to operational conditions. No guarantee is given against damage (including passive damage).

SNO-5084RN/P

VIDEO	
Imaging Device	1/3" 1.37M CMOS (IMX238)
Total Pixels	1,312(H) x 1,069(V)
Effective Pixels	1,305(H) x 1,049(V)
Scanning System	Progressive
Min. Illumination	Color : 0.05Lux (1/30sec, F1.2, 50IRE), 0.0008Lux (2sec, 50IRE), 0.005Lux (1/30sec, F1.2, 30IRE) B/W : 0Lux (IR LED on)
S / N Ratio	50dB
Video Output	CVBS : 1.0Vpp / 75Ω composite, 704 x 480(N), 704 x 576(P), for installation DIP connector type
LENS	
Focal Length (Zoom Ratio)	3 ~ 8.5mm (2.8x) motorized varifocal
Max. Aperture Ratio	F1.2
Angular Field of View	H : 93.4°(Wide) ~ 33.1°(Tele) / V : 73.8°(Wide) ~ 26.5°(Tele)
Min. Object Distance	0.5m (1.64ft)
Focus Control	Simple focus (Motorized V/F) / Manual, Remote control via network (Manual, Simple focus)
Lens / Mount Type	DC auto iris, P-Iris / Board-in type
OPERATIONAL	
IR LED / Viewable Length	20ea / 30m (98.43ft)
Camera Title	Off / On (Displayed up to 40 characters)
Day & Night	Auto (ICR) / Color / B/W / External / Schedule
Backlight Compensation	Off / BLC / WDR
Wide Dynamic Range	130dB
Contrast Enhancement	SSDR (Off / On)
Digital Noise Reduction	SSNR III (2D+3D noise filter) (Off / On)
Digital Image Stabilization	Off / On
Defog	Off / Auto / Manual
Motion Detection	Off / On (4 zones with 4-sided polygon)
Privacy Masking	Off / On (32 zones with 4-sided polygon)
Gain Control	Off / Low / Middle / High
White Balance	ATW / AWC / Manual / Indoor / Outdoor
Electronic Shutter Speed	Minimum / Maximum / Anti flicker
Flip / Mirror	Off / On
Intelligent Video Analytics	Tampering, Virtual line, Enter / Exit, (Dis)Appear, Audio detection, Face detection with metadata
Alarm I/O	Input 1ea / Output 1ea
Alarm Triggers	Motion detection, Tampering, Audio detection, Face detection, Video analytics, Network disconnection, Alarm input
Alarm Events	File upload via FTP and E-mail, Notification via E-mail, Local storage (SD/SDHC/SDXC) recording at Event, External output
NETWORK	
Ethernet	RJ-45 (10/100BASE-T)
Video Compression Format	H.264 (MPEG-4 part 10/AVC), MJPEG
Resolution	1280 x 1024, 1280 x 720P (HD), 1024 x 768, 800 x 600, 640 x 480, 320 x 240
Max. Framerate	H.264 : Max. 60fps at all resolutions MJPEG : 1280 x 1024, 1280 x 720, 1024 x 768 : Max. 15fps 800 x 600, 640 x 480, 320 x 240 : Max. 30fps
Video Quality Adjustment	H.264 : Compression level, Target bitrate level control, MJPEG : Quality level control
Bitrate Control Method	H.264 : CBR or VBR, MJPEG : VBR
Streaming Capability	Multiple streaming (Up to 10 profiles)
Audio In	Selectable (Mic in / Line in) Supply voltage : 2.5V DC (4mA), Input impedance : approx. 2K Ohm
Audio Out	Line out (3.5mm stereo mini jack), Max output level : 1 Vrms
Audio Compression Format	G.711 u-law/G.726 selectable, G.726 (ADPCM) 8KHz, G.711 8KHz G.726 : 16Kbps, 24Kbps, 32Kbps, 40Kbps
Audio Communication	Bi-directional audio
IP	IPv4, IPv6
Protocol	TCP/IP, UDP/IP, RTP(UDP), RTP(TCP), RTCP, RTSP, NTP, HTTP, HTTPS, SSL/TLS, DHCP, PPPoE, FTP, SMTP, ICMP, IGMP, SNMPv1/v2c/v3(MIB-2), ARP, DNS, DDNS, QoS, PIM-SM, UPnP, Bonjour
Security	HTTPS(SSL) login authentication, Digest login authentication IP address filtering, User access log, 802.1x authentication
Streaming Method	Unicast / Multicast
Max. User Access	15 users at unicast mode
Edge Storage	micro SD/SDHC/SDXC (4GB included) Motion images recorded in the SDXC/SDHC/SD memory card can be downloaded
Application Programming Interface	ONVIF profile S, SUNAPI (HTTP API), SVN1.2
Webpage Language	English, French, German, Spanish, Italian, Chinese, Korean, Russian, Japanese, Swedish, Danish, Portuguese, Turkish, Polish, Czech, Rumanian, Serbian, Dutch, Croatian, Hungarian, Greek, Finnish, Norwegian
Web Viewer	Supported OS : Windows XP / VISTA / 7 / 8, MAC OS X 10.7 Supported Browser : Microsoft Internet Explorer (Ver. 8 ~ 10), Mozilla Firefox (Ver. 9 ~ 19), Google Chrome (Ver. 15 ~ 25), Apple Safari (Ver. 6.0.2(Mac OS X 10.8, 10.7 only), 5.1.7) * Mac OS X only
Central Management Software	SmartViewer, SSM
ENVIRONMENTAL	
Operating Temperature / Humidity	-30°C ~ +55°C (-22°F ~ +131°F) / Less than 90% RH
Storage Temperature / Humidity	-30°C ~ +60°C (-22°F ~ +140°F) / Less than 90% RH
Ingress Protection	IP66
Vandal Resistance	IK10
ELECTRICAL	
Input Voltage / Current	12V DC, 24V AC, PoE (IEEE802.3af)
Power Consumption	Max. 10W / 11.5W (12V DC - Heater off / on), Max. 11.5W / 12.95W (PoE - Heater off / on) Max. 12W / 13.5W (24V AC - Heater off / on)
MECHANICAL	
Color / Material	Dark gray / Aluminum
Dimensions (WxHxD)	82.4 x 82.4 x 312.6mm (3.24" x 3.24" x 12.31") (Without sunshield)
Weight	1.17Kg (2.58 lb) (With sunshield)

*The latest product information / specification can be found at www.hanwha-security.com